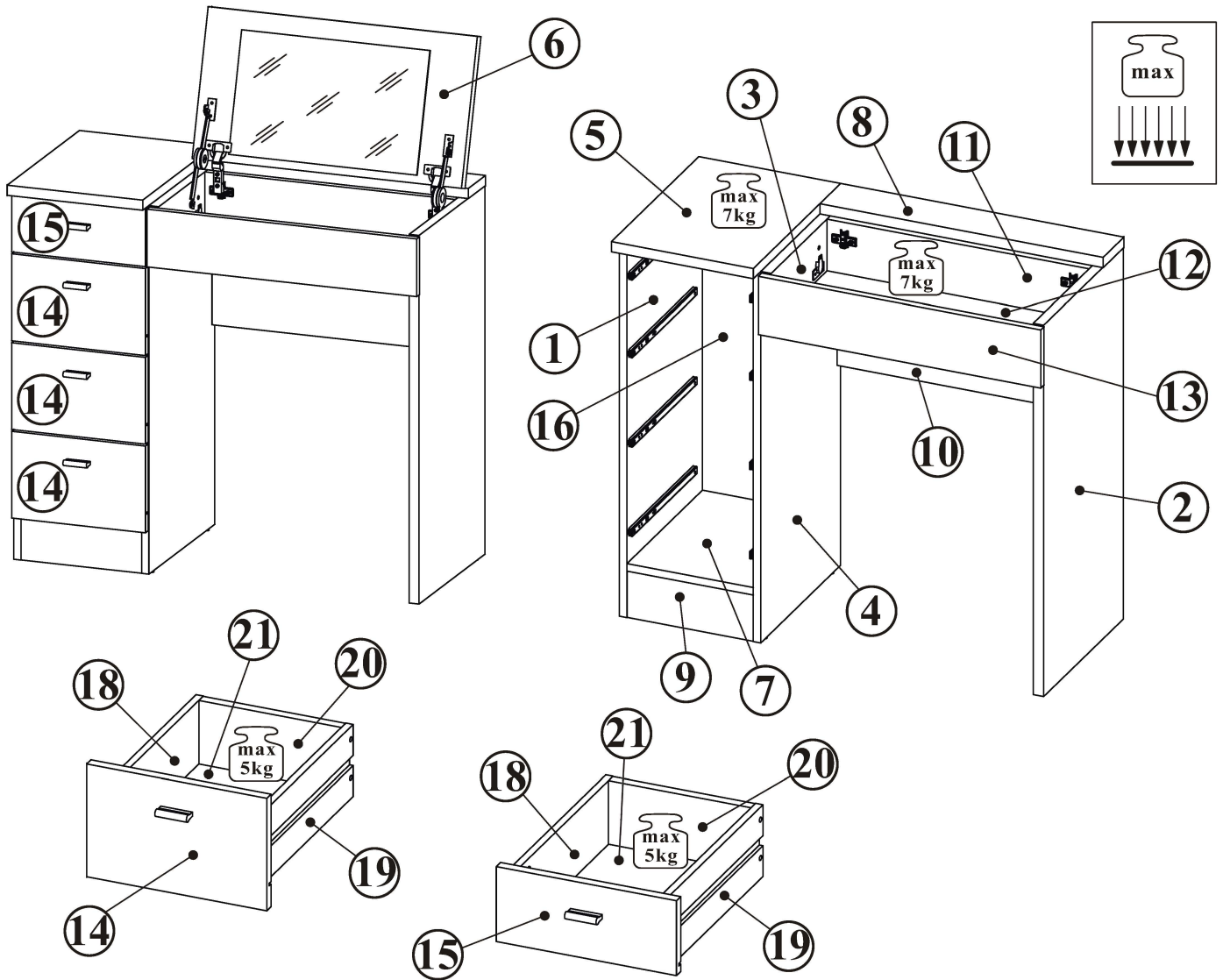
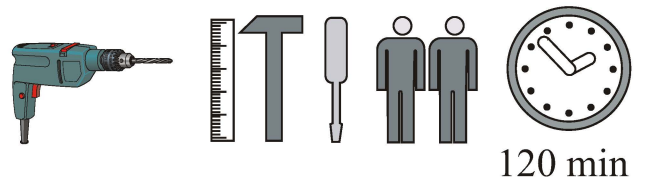


CHARM

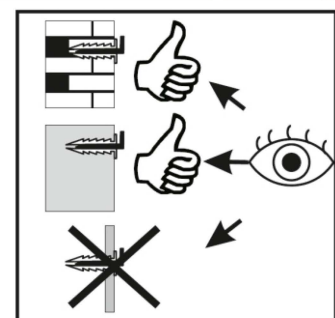
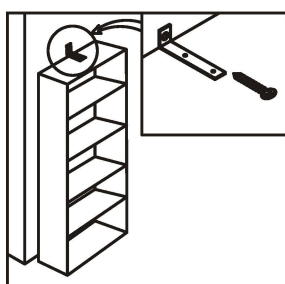
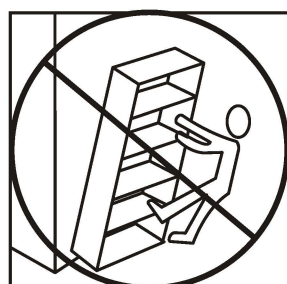
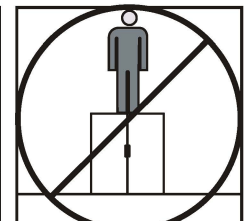
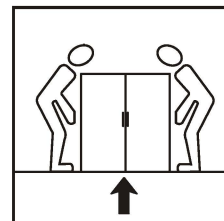
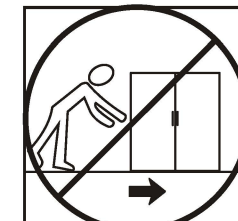
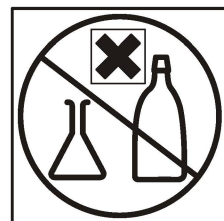
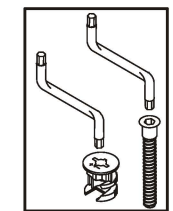
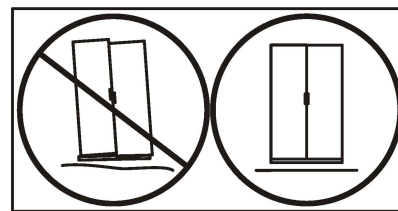
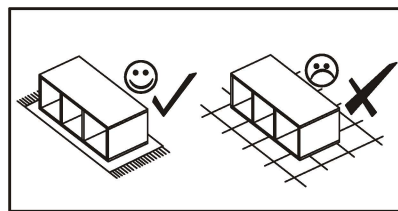
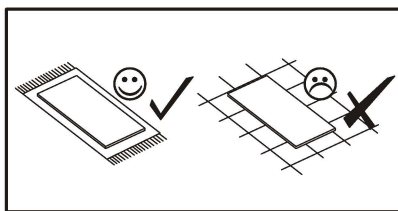
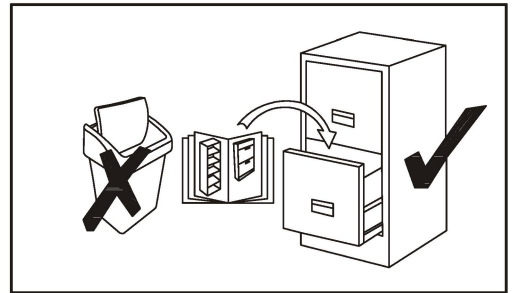
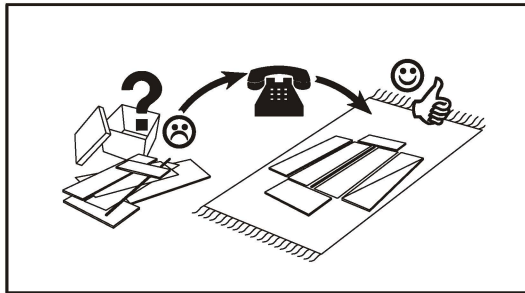
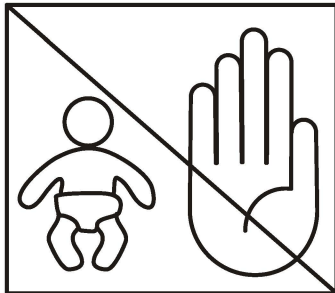
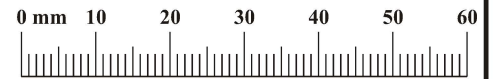


NO	Dim.		Col.-No	Qty
1	798	383	1	1
2	798	383	1	1
3	383	111	1	1
4	798	383	1	1
5	302	421	1	1
6	598	317	1	1
7	268	363	1	1
8	602	100	1	1
9	268	100	1	1
10	584	250	1	1
11	568	111	1	1
12	584	367	1	1
13	600	126	1	1
14	297	189	1	3
15	297	126	1	1
16	704	280	1	1
18	350	120	1	4
19	350	120	1	4
20	210	106	1	4
21	355	222	1	4



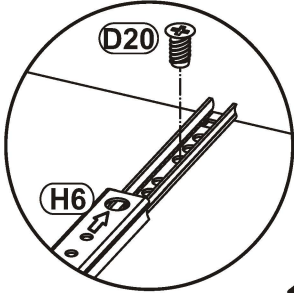
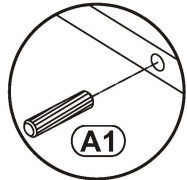
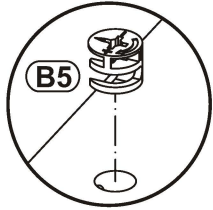
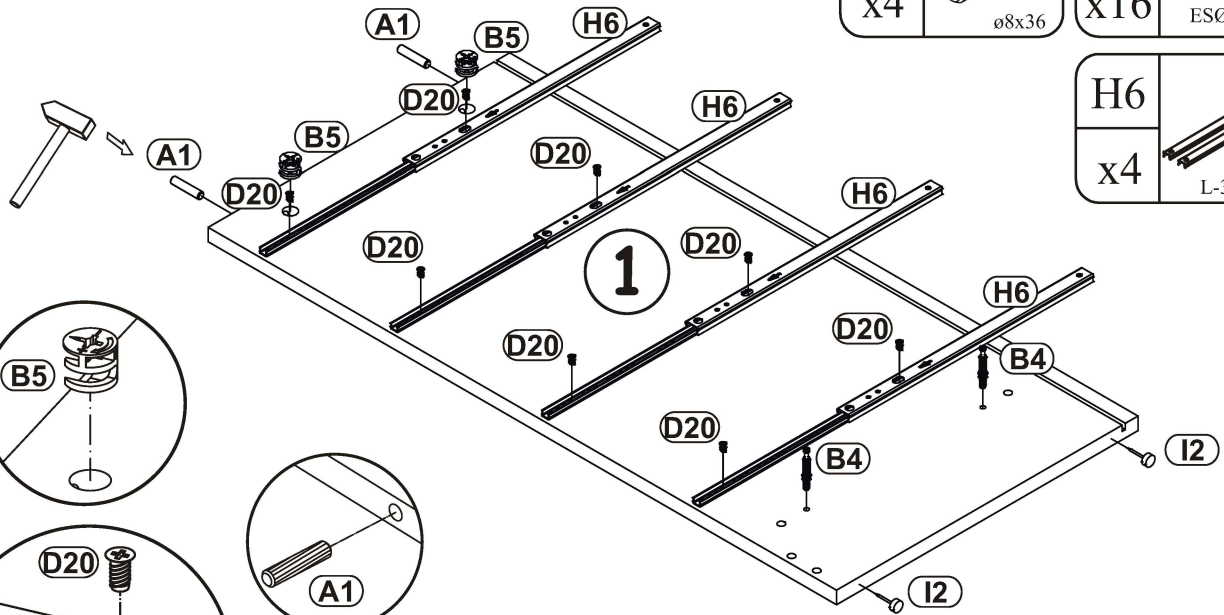
CHARM

A1 x22 ø8x36	B4 x33	B5 x33 ø15x13	E10 x2	I2 x6
H6 x4 L-342mm	D20 x36 ESØ6,3x13	E4 x2 H=2	B11 x26 Ø6,3x50	
KL x4 L-64mm.	SFD x2	S1 x17	B81 x2 M4x39-45 Ø5	
L1 x1	UP6 x8 UPØ4x30	D10 x60 USØ3,5x16	G8 x33 Ø20	
KM1 x1	KR1 x1	G2 x1	G4 x26	

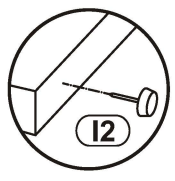
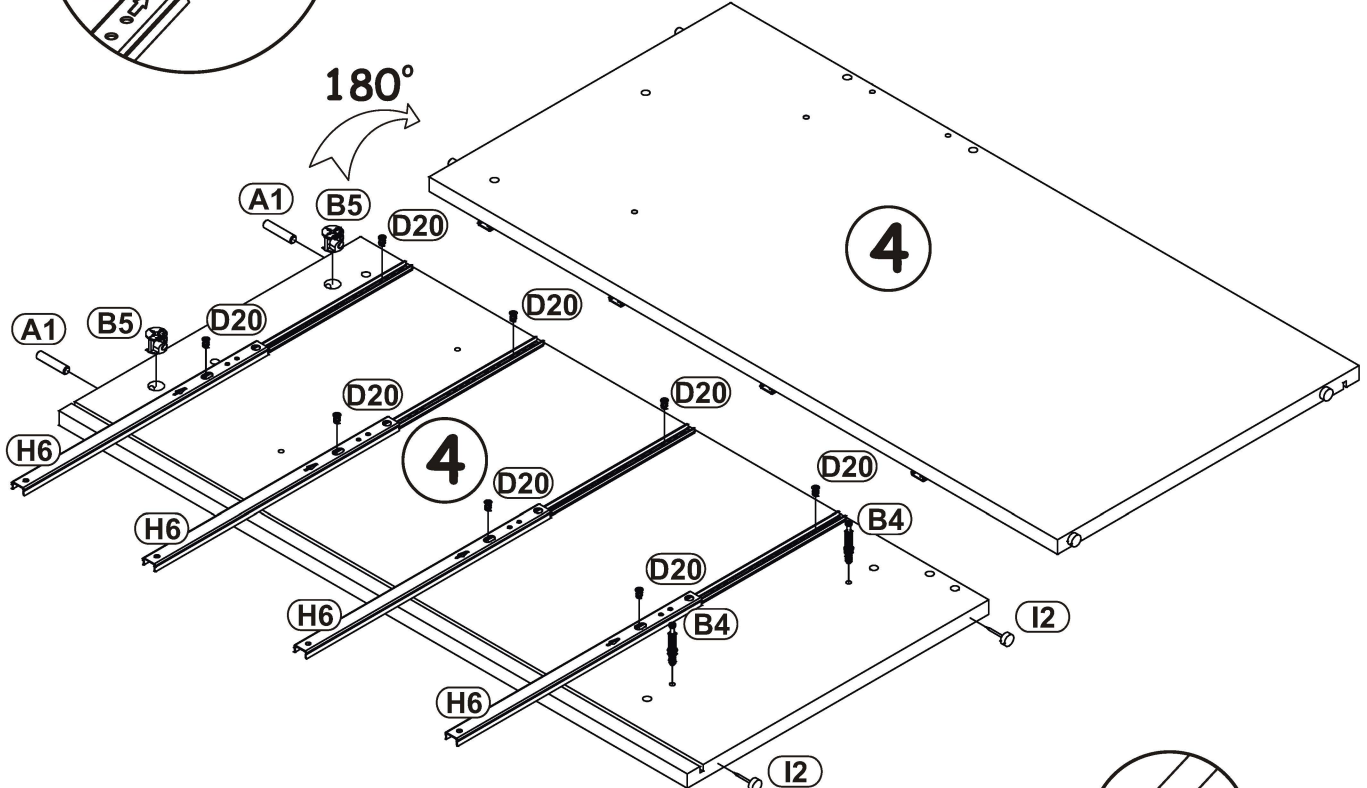


1

B4		I2		B5	
x4		x4		x4	ø15x13
A1		D20		H6	
x4	ø8x36	x16	ESØ6,3x13	x4	L-342mm



180°



CHARM

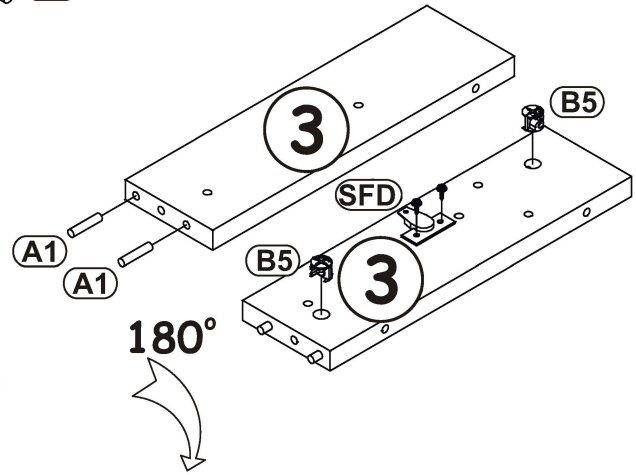
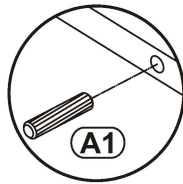
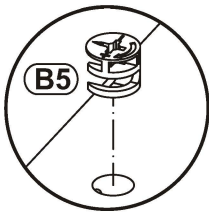
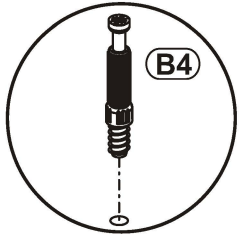
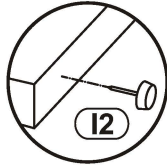
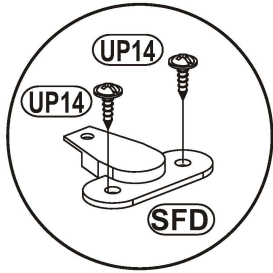
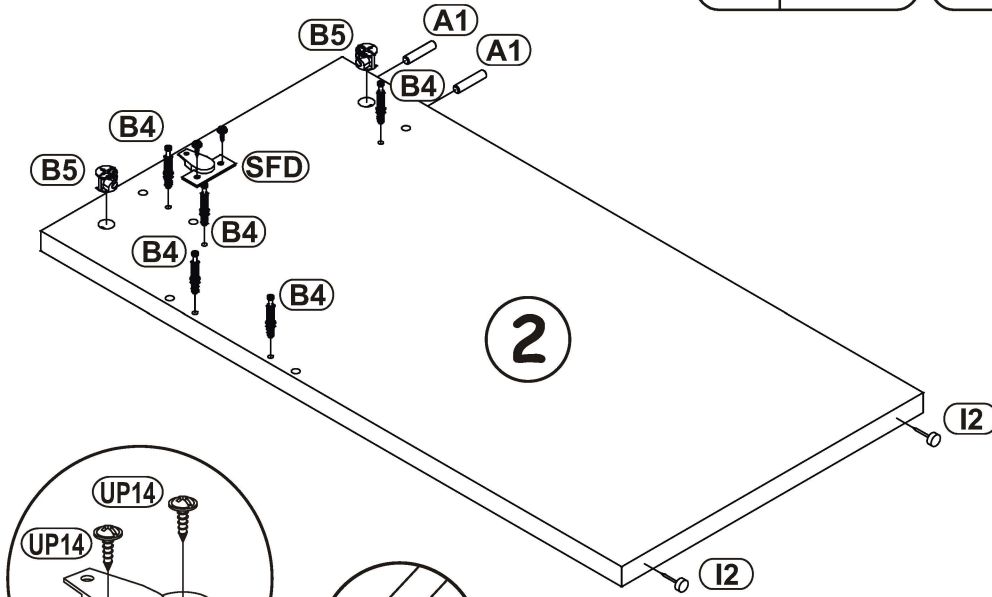
2

B4		I2		B5	
x5		x2		x4	Ø15x16

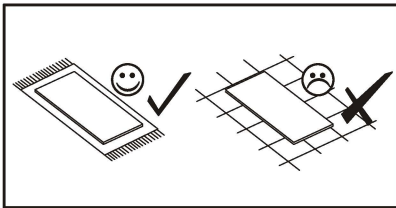
A1	
x4	ø8x36

SFD	
x2	

D10	
x4	USØ3,5x16



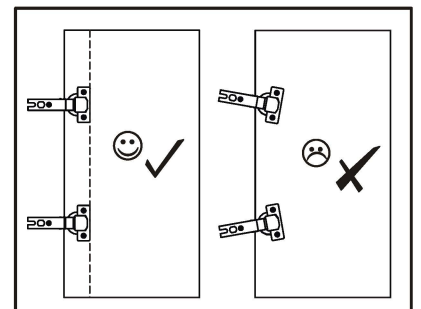
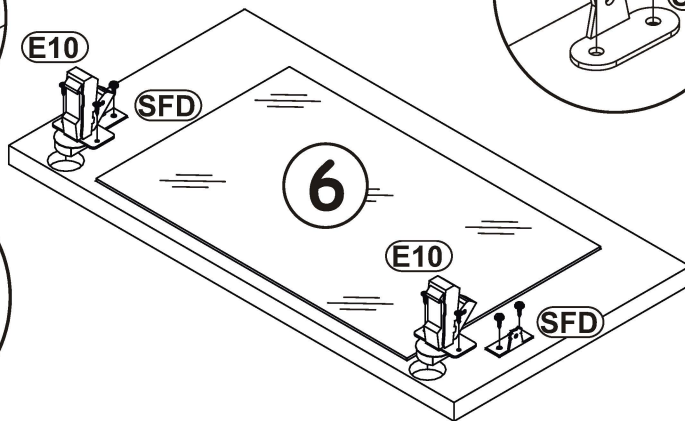
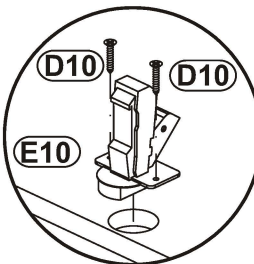
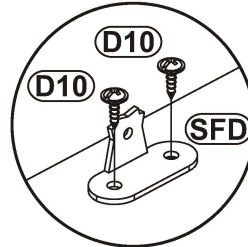
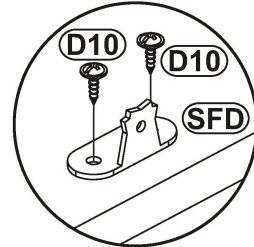
3



D10	
x8	USØ3,5x16

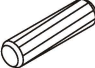
SFD	
x2	


E10	
x2	

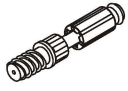


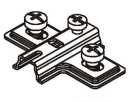
CHARM

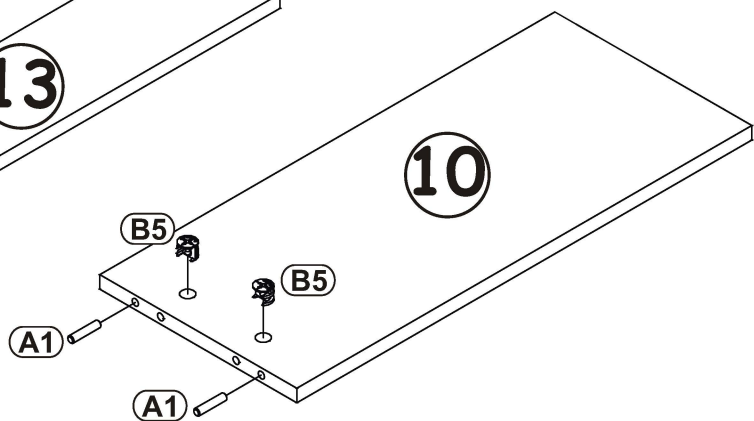
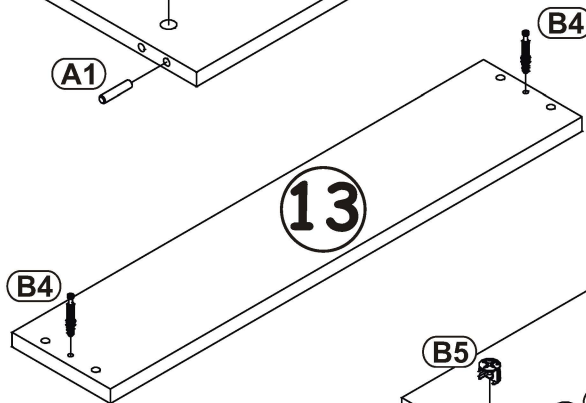
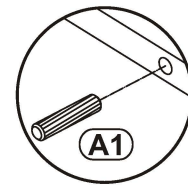
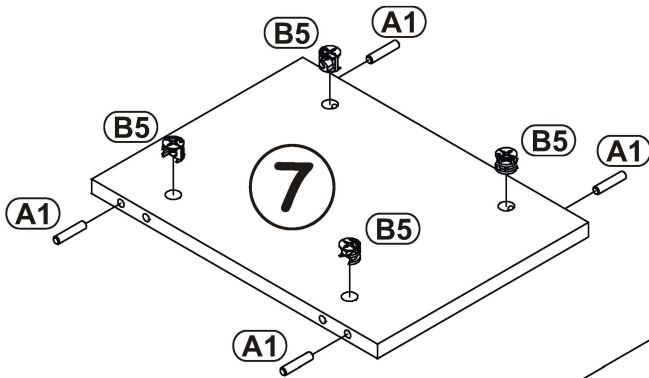
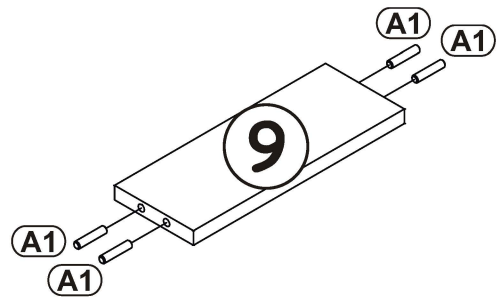
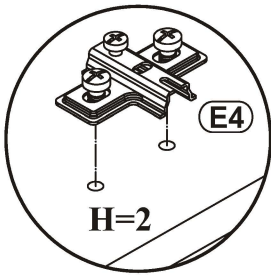
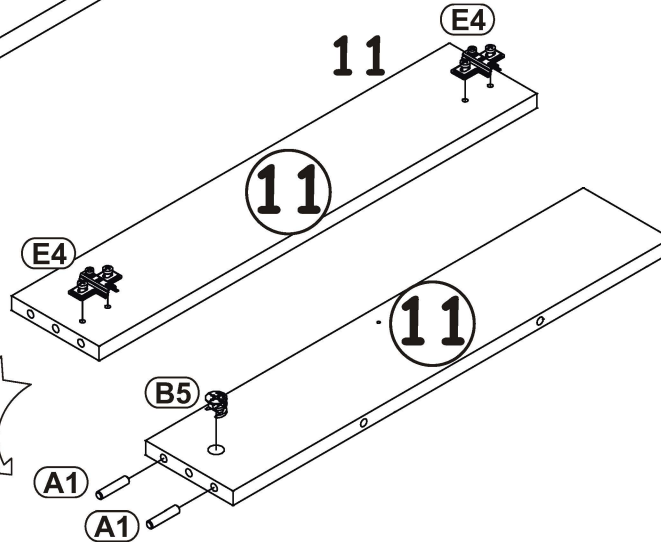
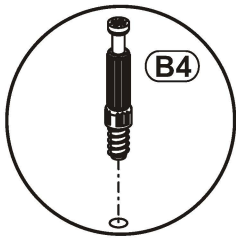
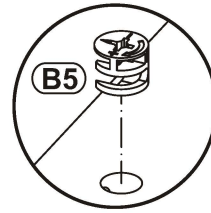
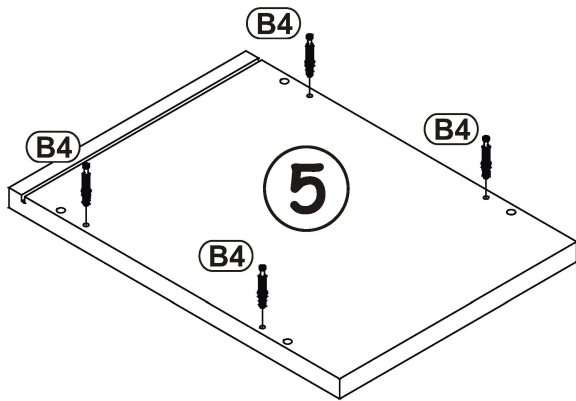
4

A1	
x12	ø8x36

B5	
x7	ø15x13

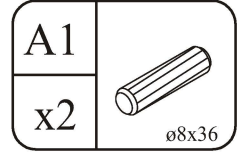
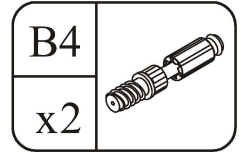
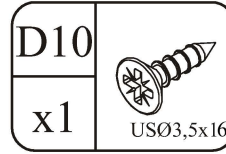
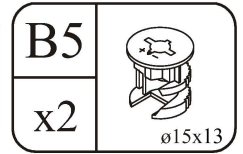
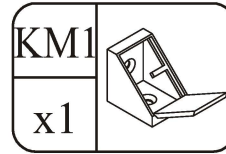
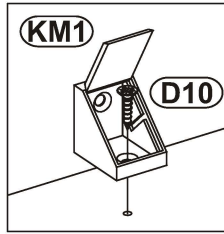
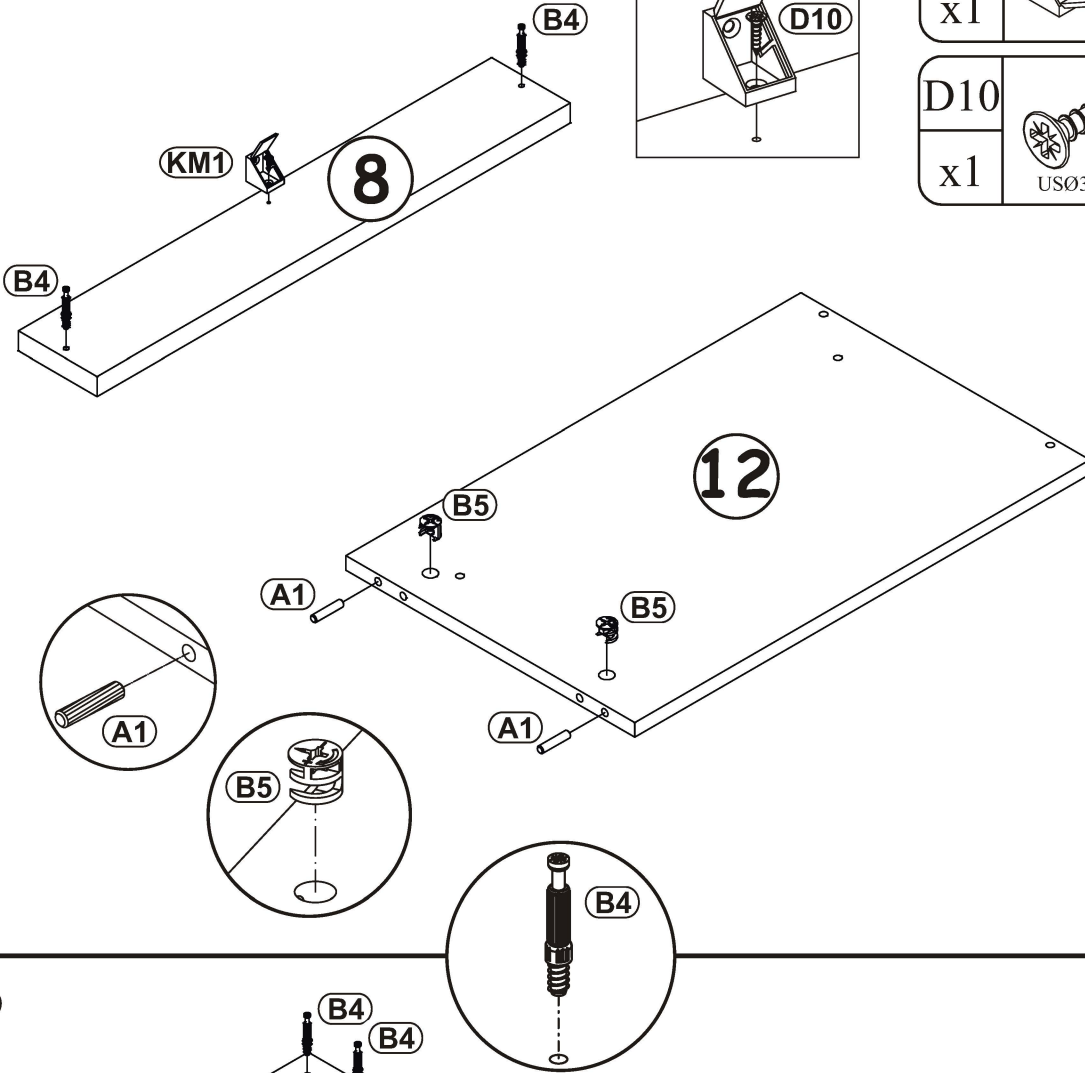
B4	
x6	

E4	
x2	H=2

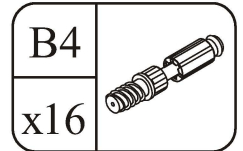
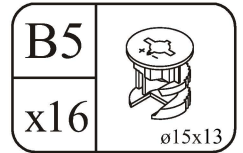
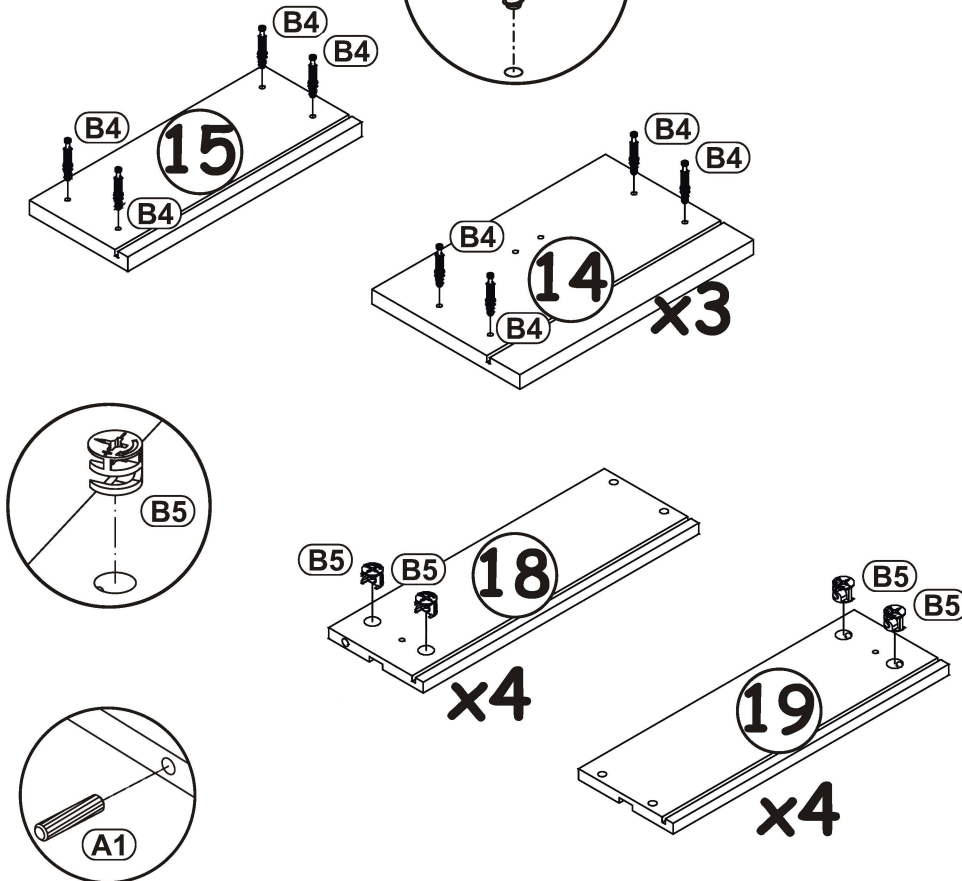


CHARM

5

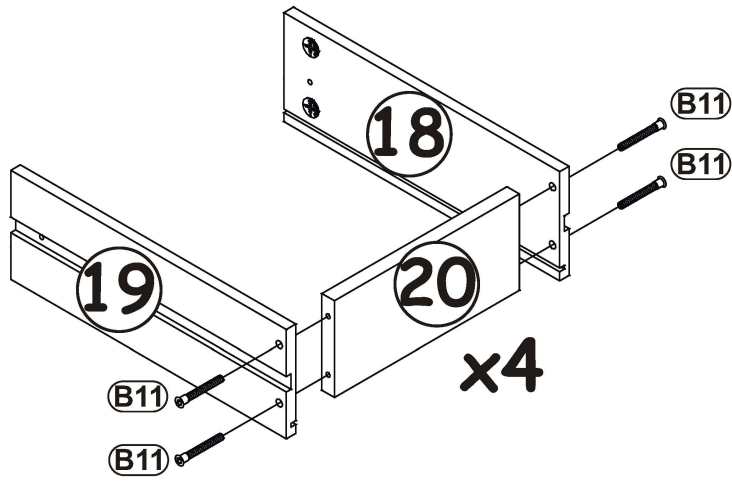


6



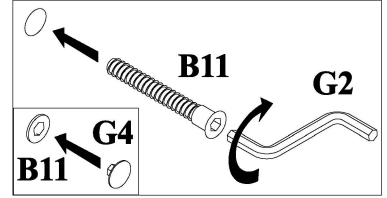
CHARM

7

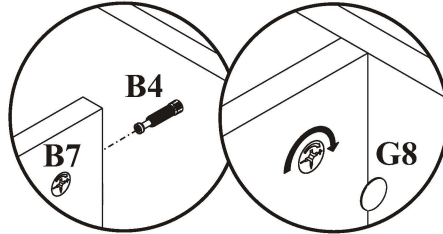
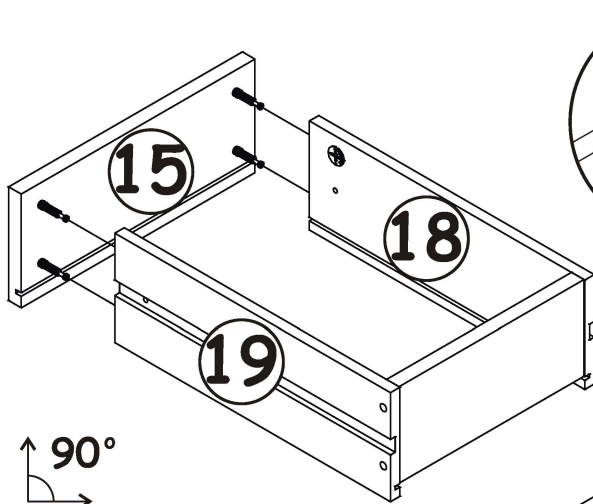


B11	
x16	Ø7x50

G4	
x16	



8

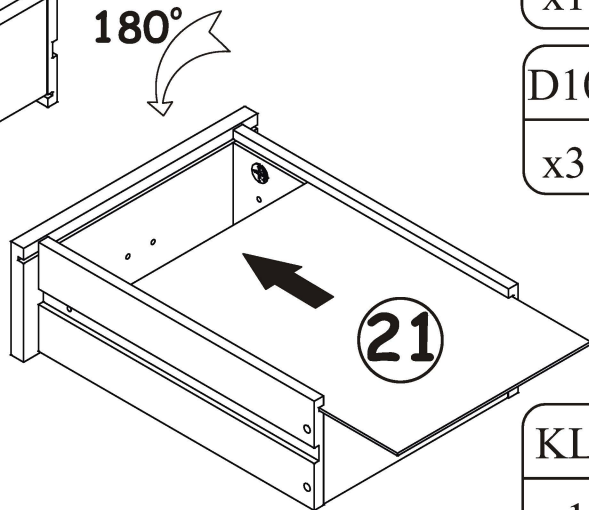
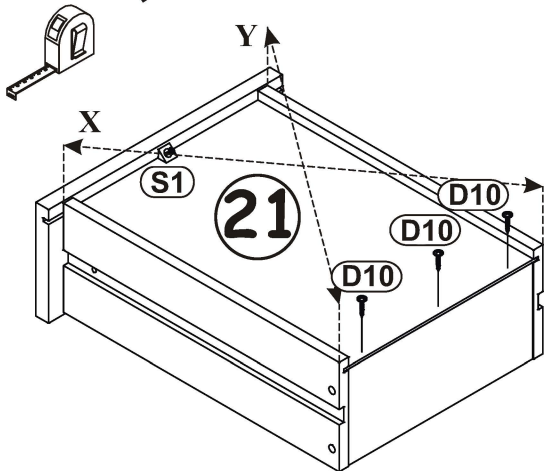


G8	
x4	Ø20

S1	
x1	

D10	
x3	USØ3,5x16

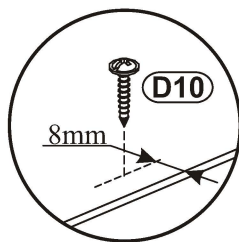
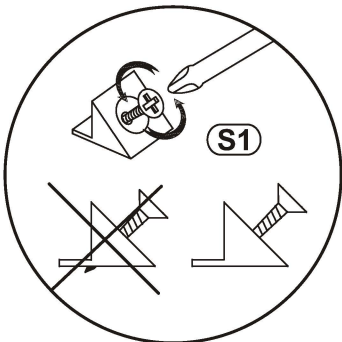
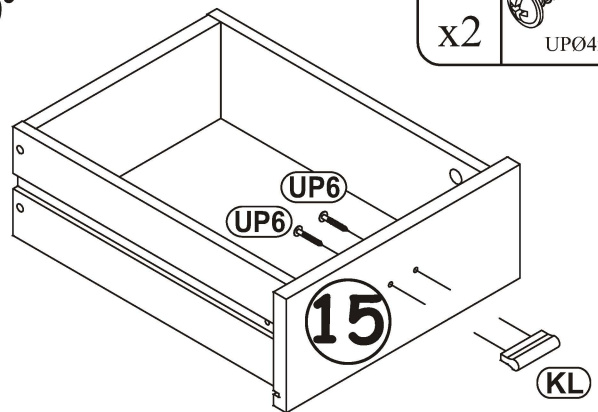
X=y 90°



KL	
x1	L-64mm.

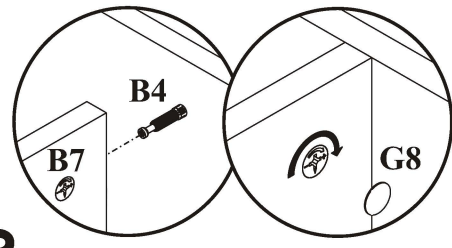
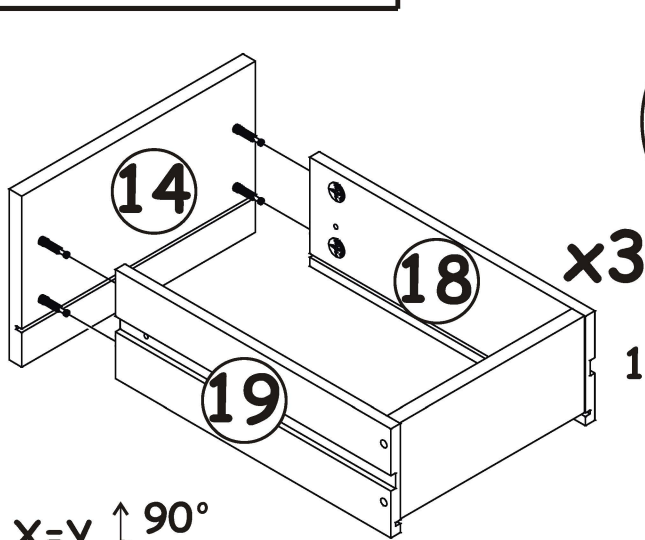
UP6	
x2	UPØ4x30

180°



CHARM

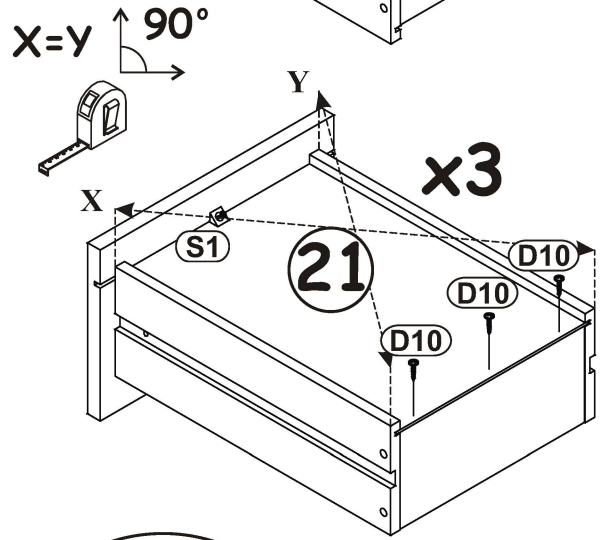
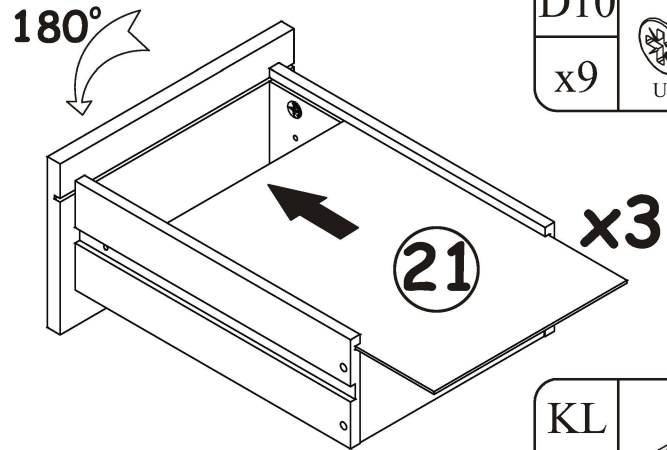
8



G8	
x6	Ø20

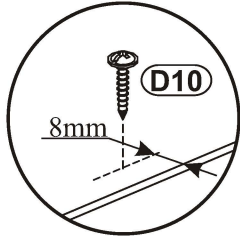
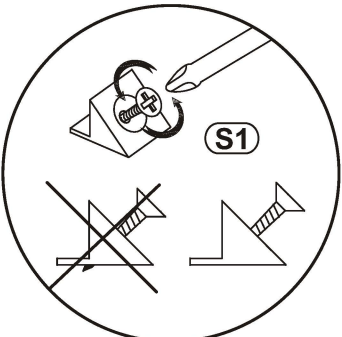
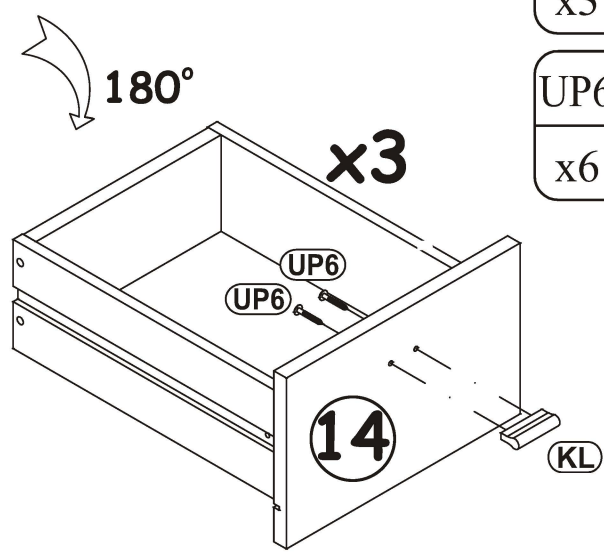
S1	
x3	

D10	
x9	USØ3,5x16

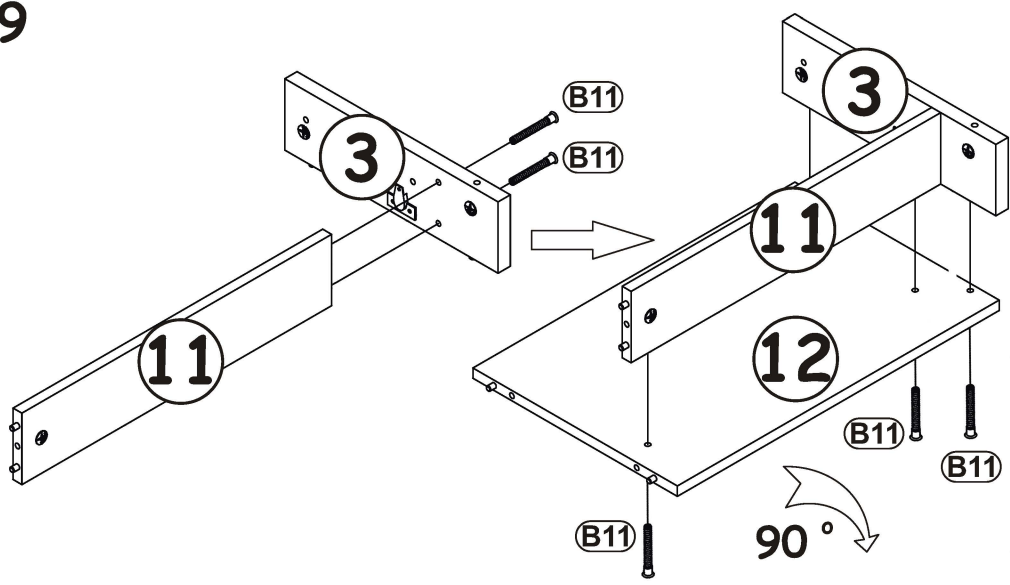


KL	
x3	L-64mm.

UP6	
x6	UPØ4x30

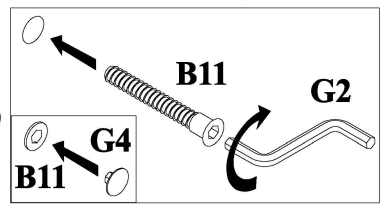


9




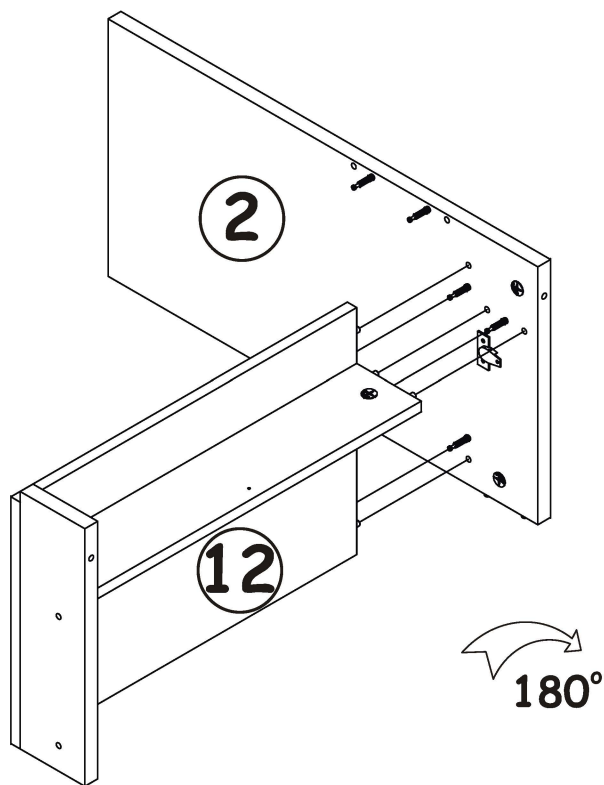
G4	
x6	

B11	
x6	Ø7x50




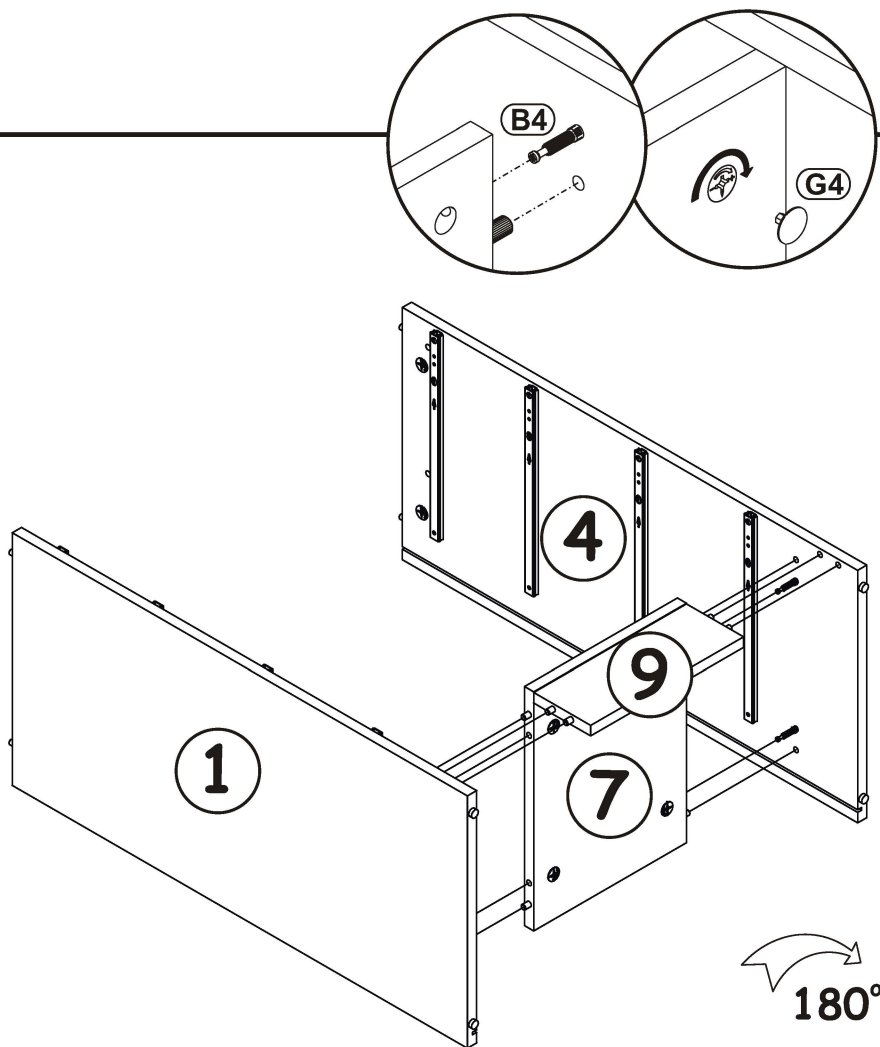
10

G4	
x3	



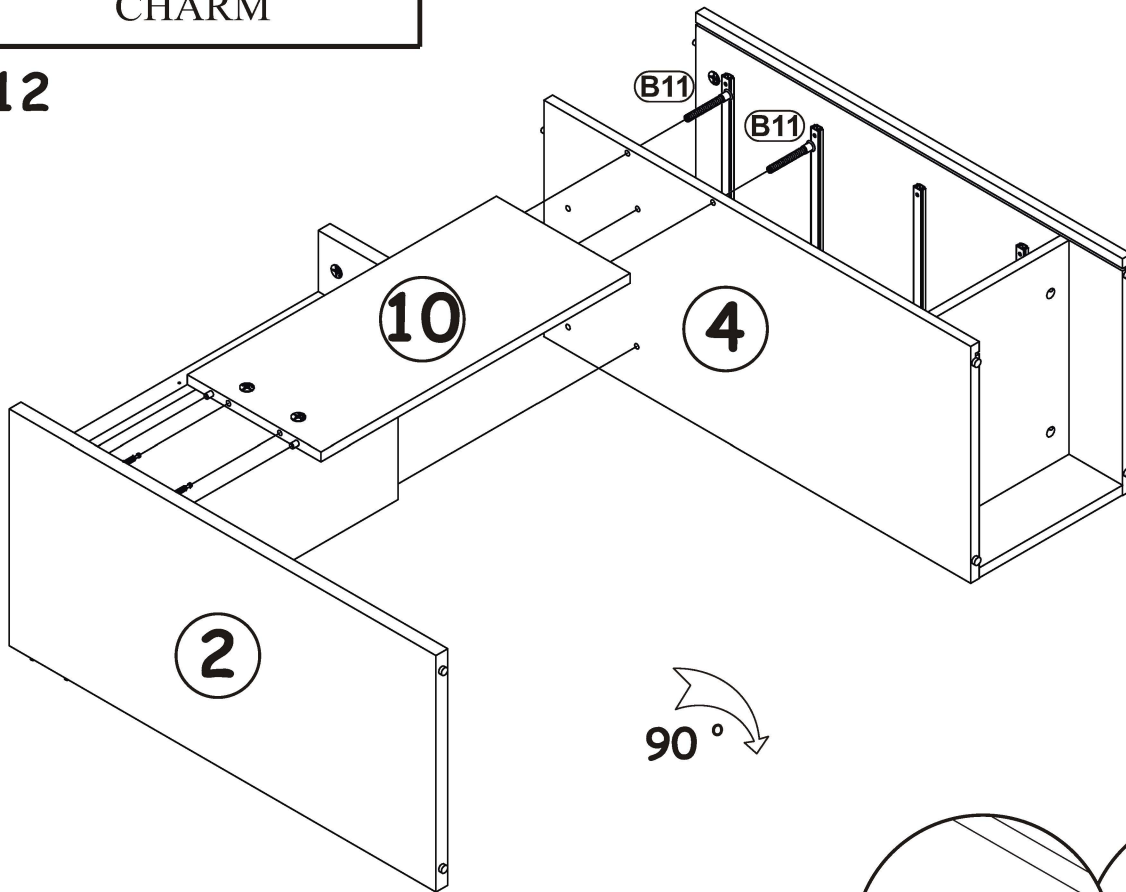
11


G4	
x4	

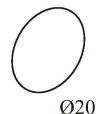



CHARM

12

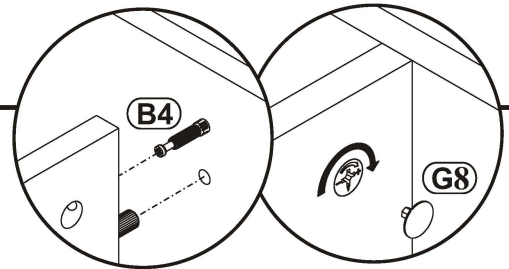
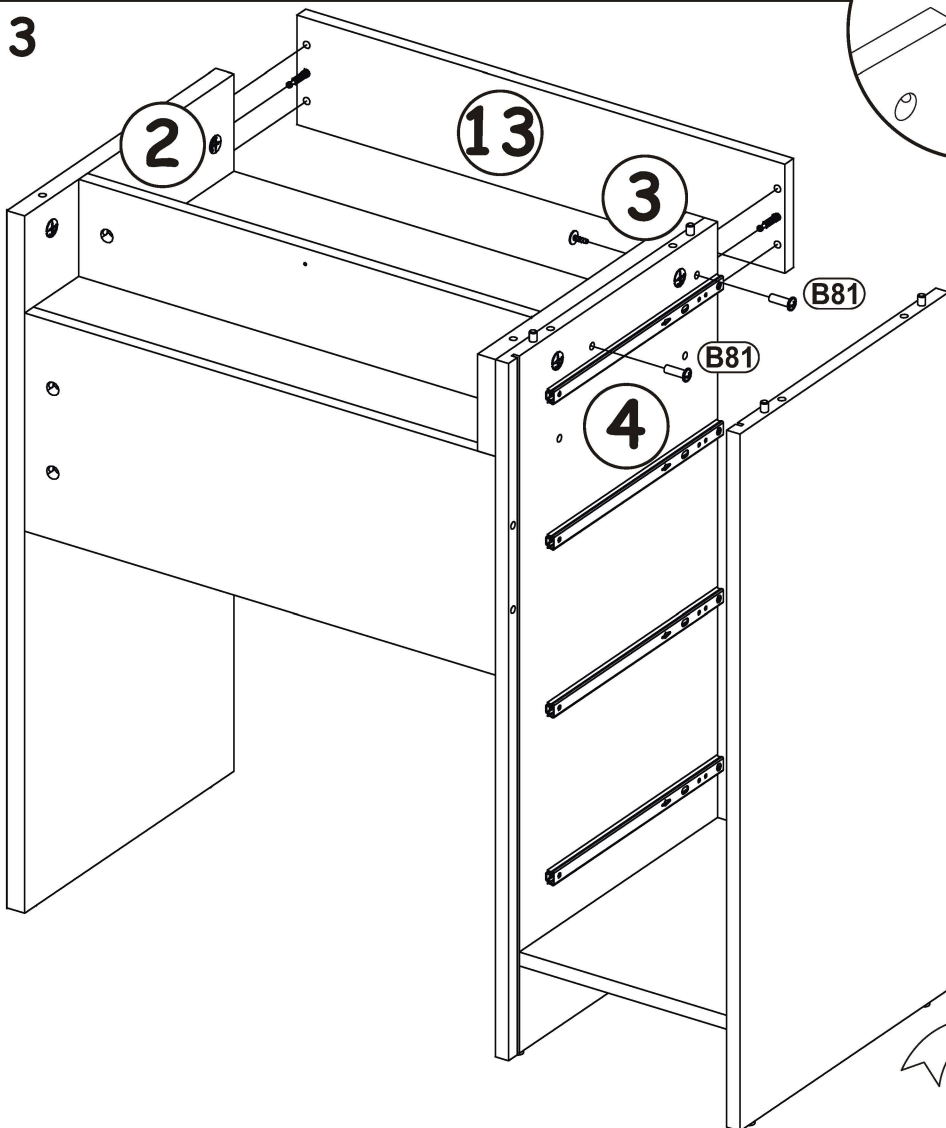


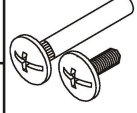
B11	
x4	Ø6,3x50

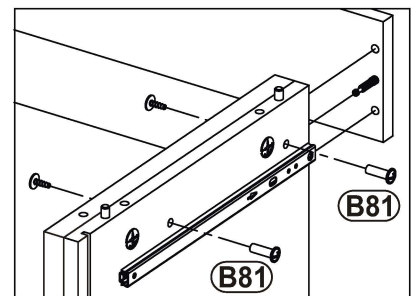
G8	
x4	Ø20

G4	
x4	

13

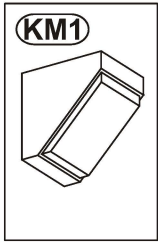
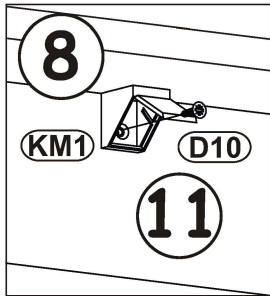
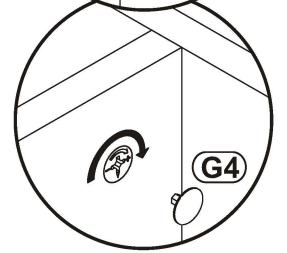
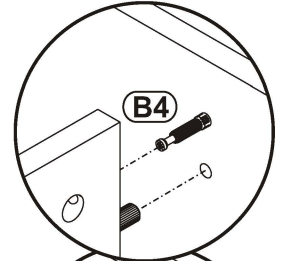
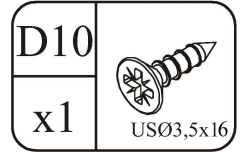
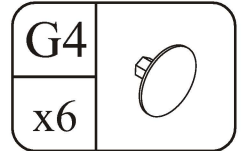
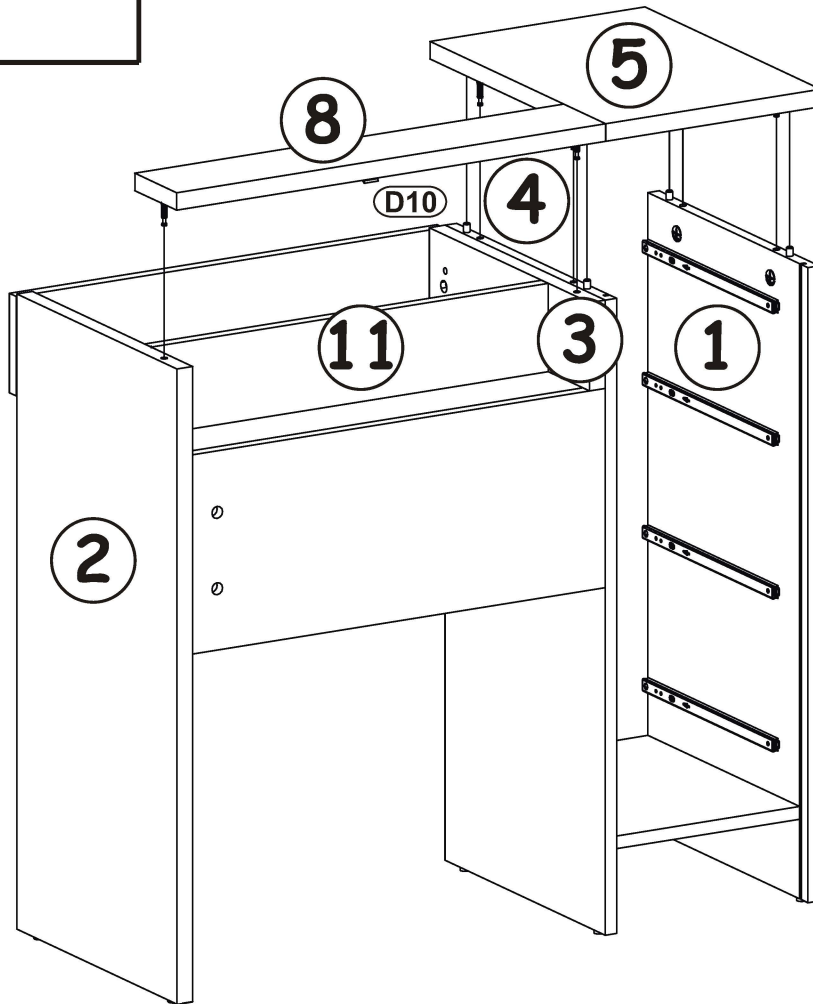


B81	
x2	M6x39-45 Ø5

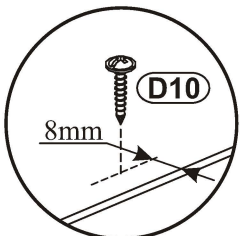
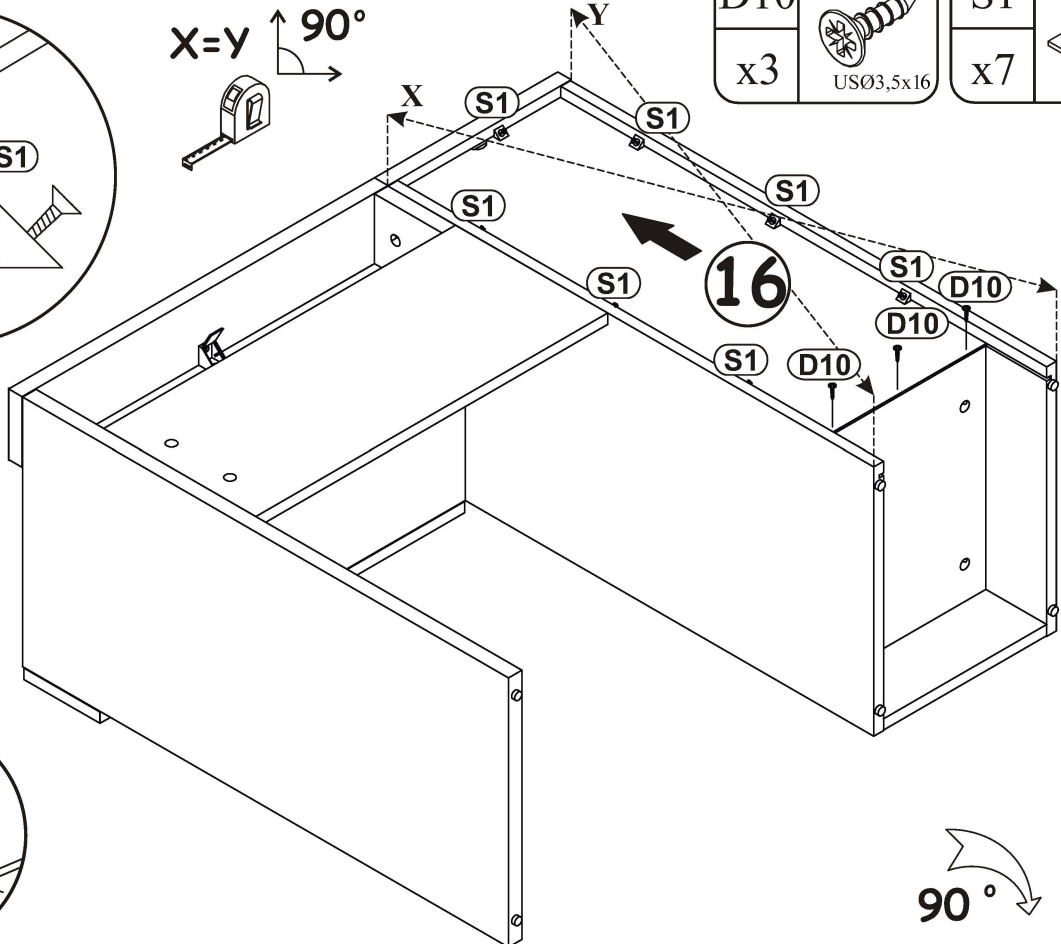
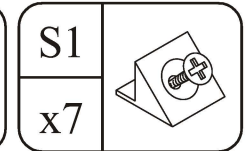
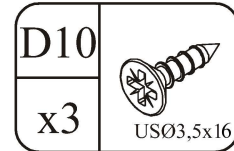
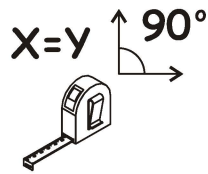
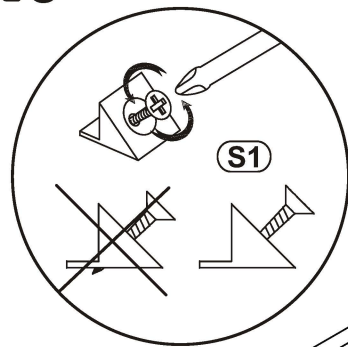


CHARM


14

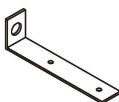


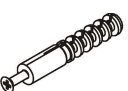
15



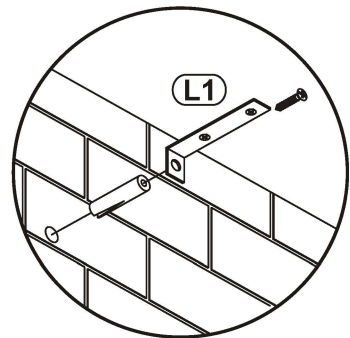
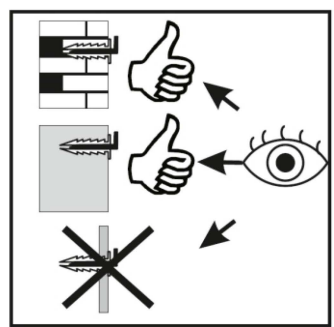
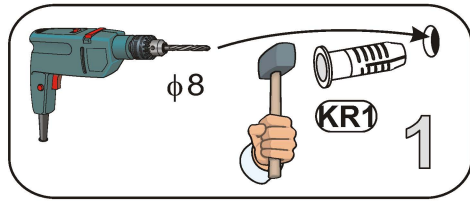
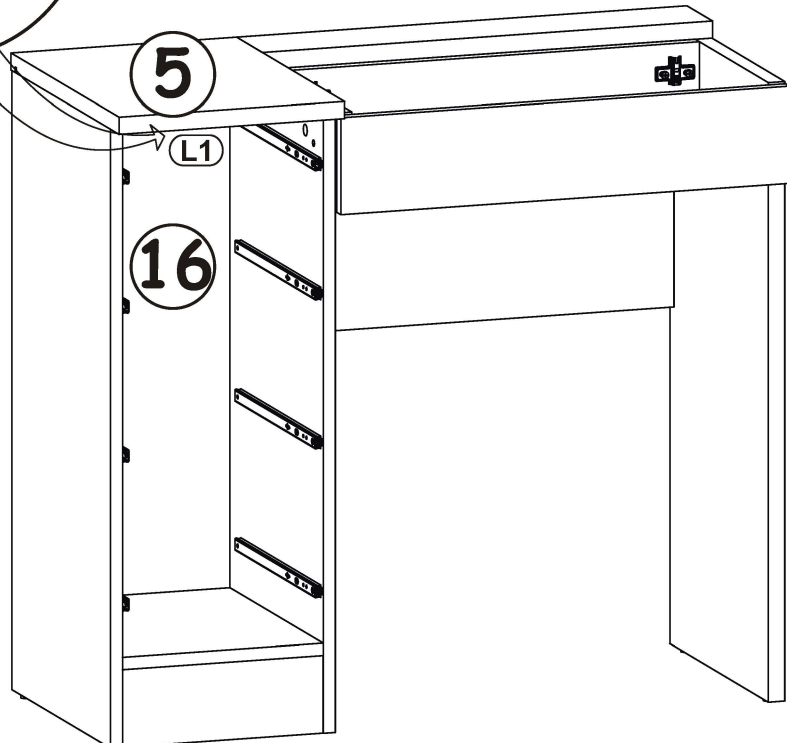
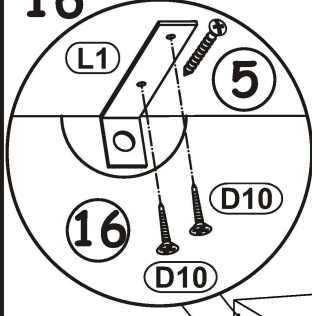
CHARM

D10	
x2	USØ3,5x16


L1	
x1	

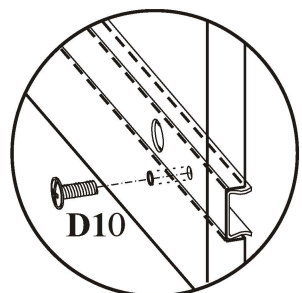
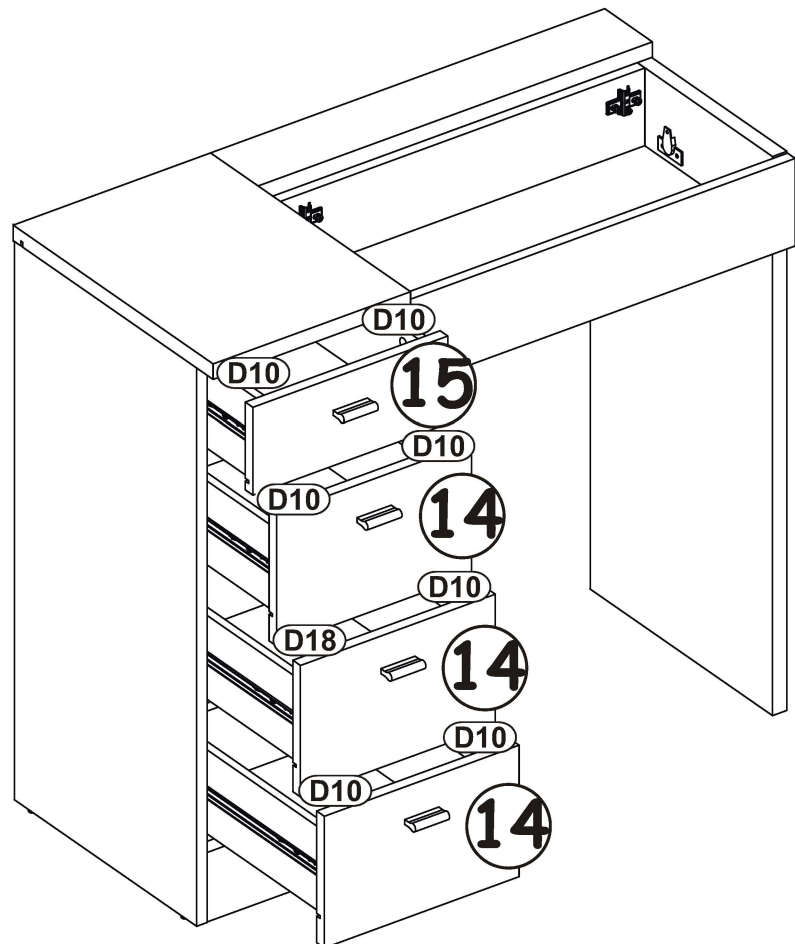
KR1	
x1	

16



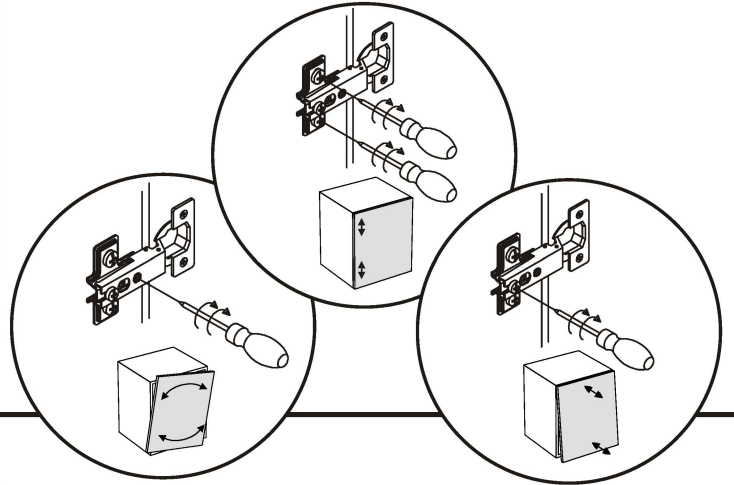
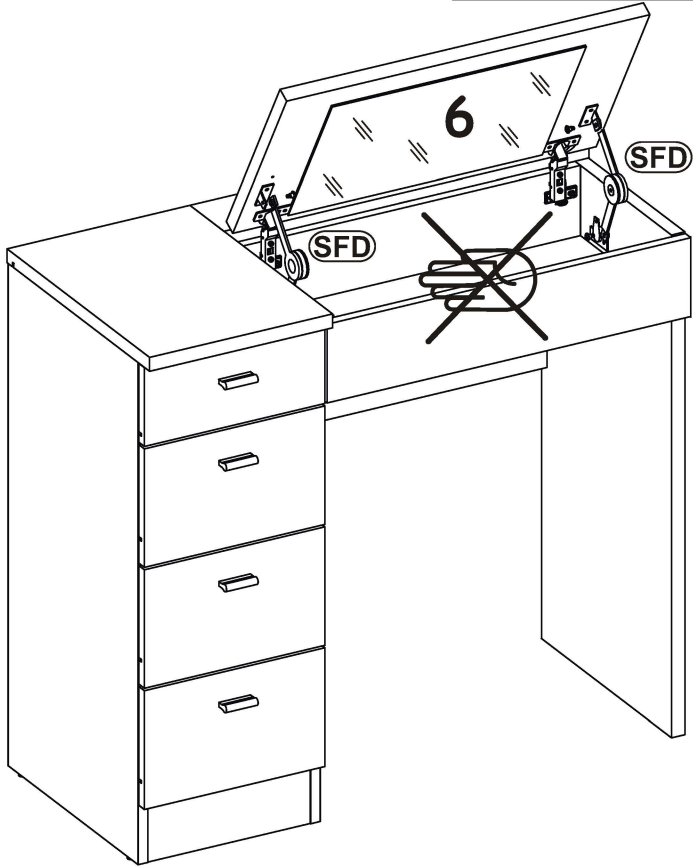
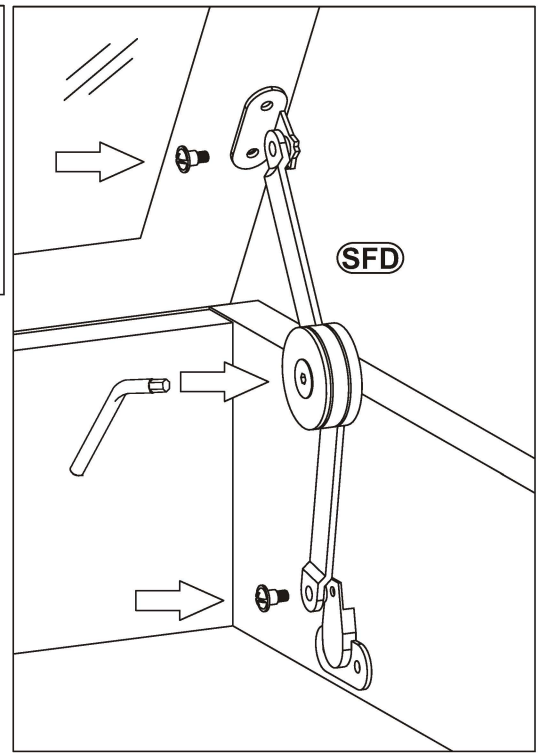
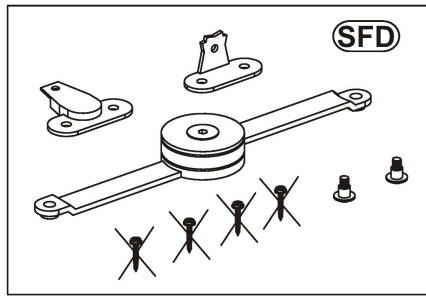
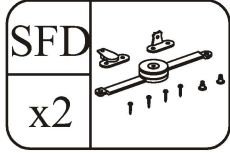
17

D10	
x2	USØ3,5x16



CHARM

18



19

