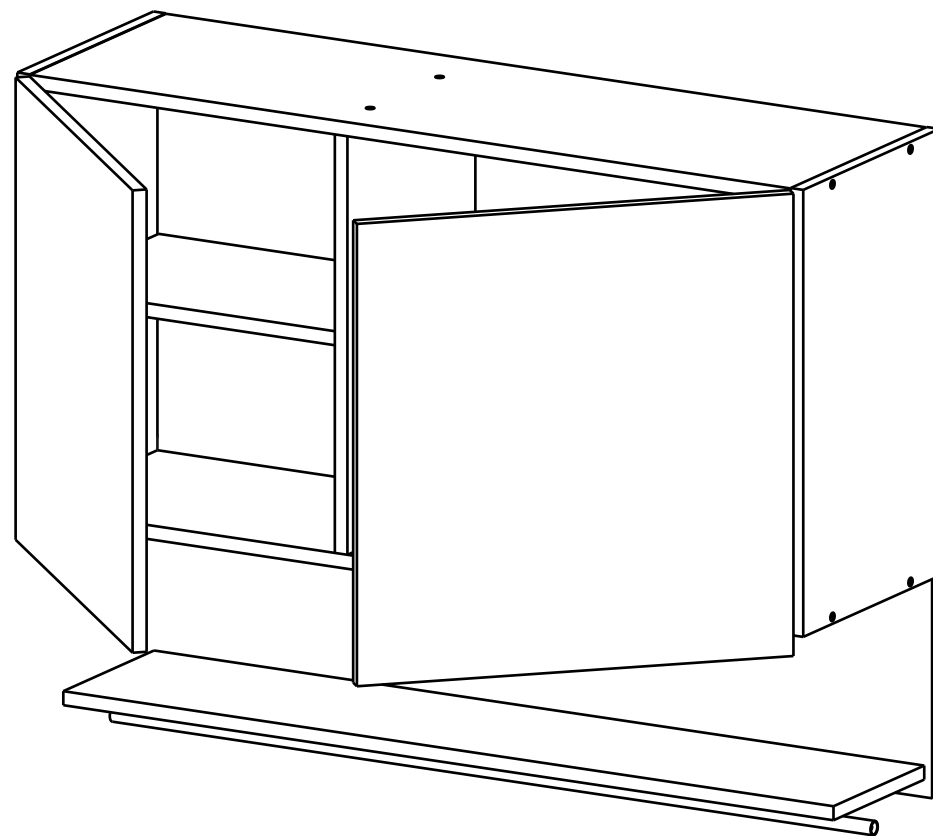
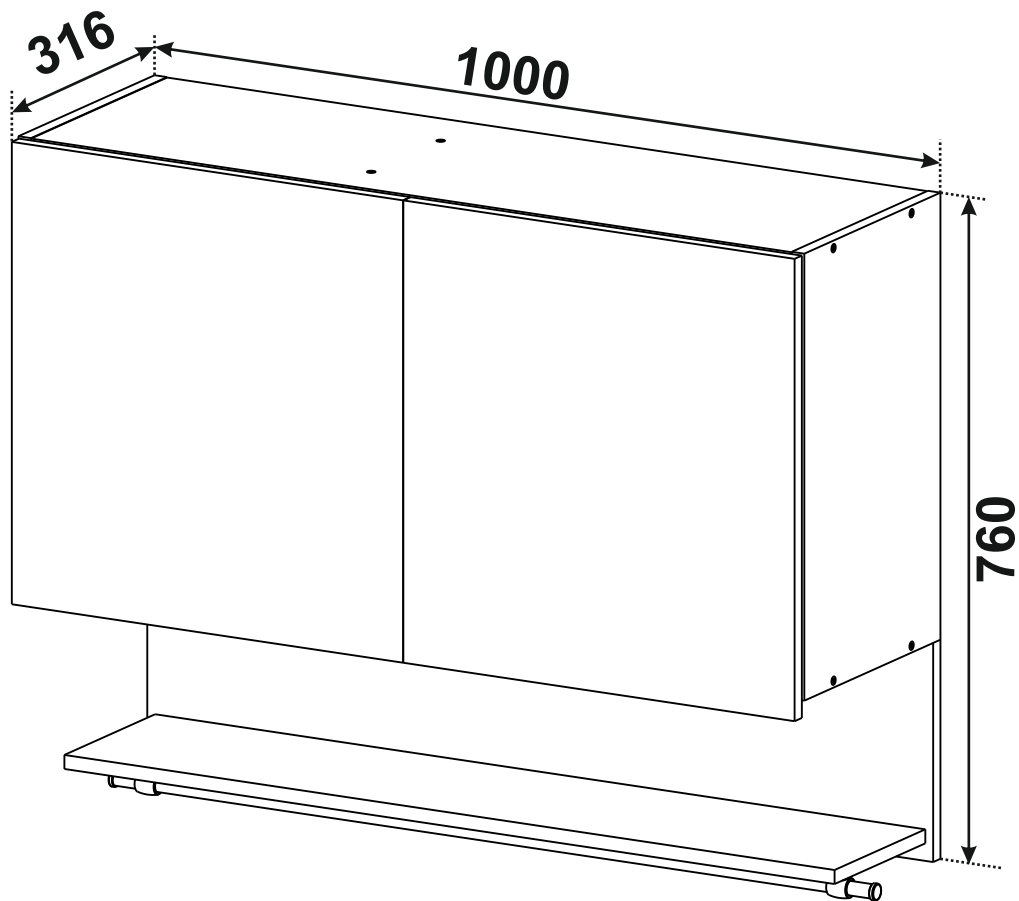
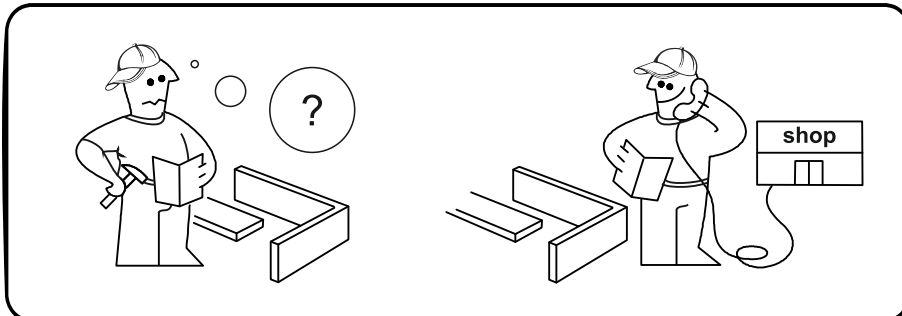
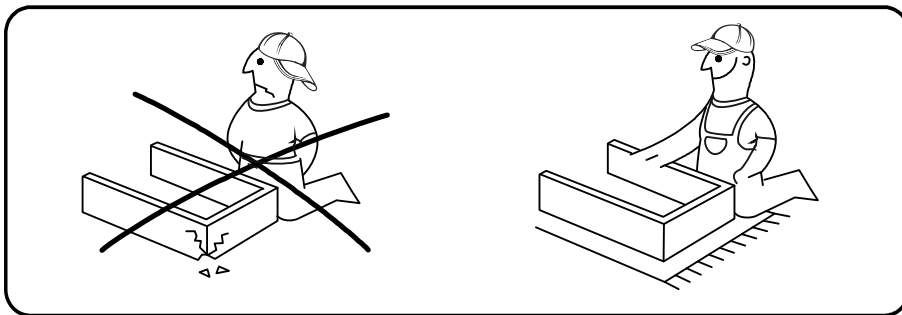
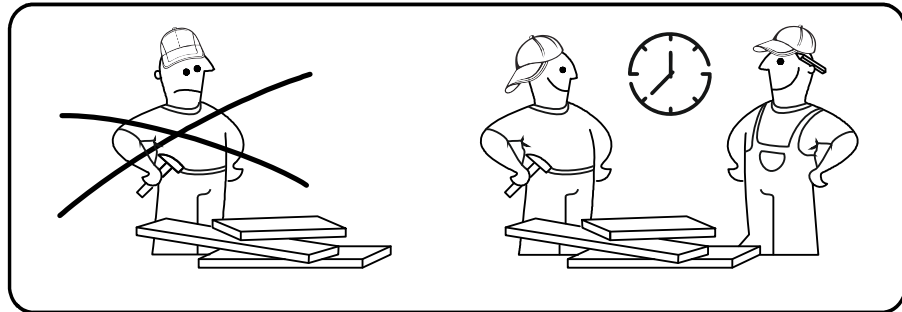
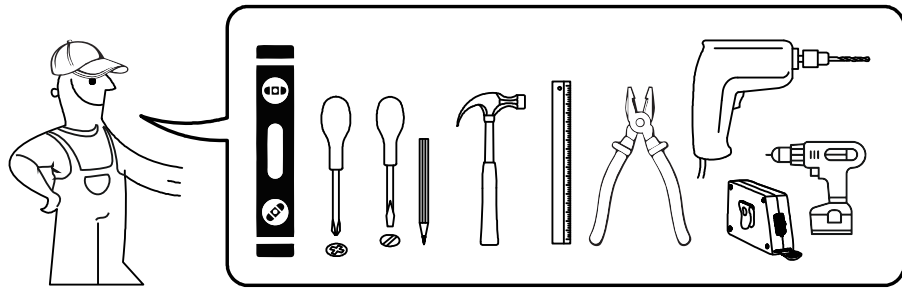
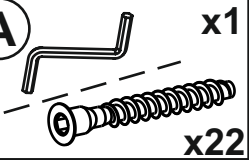
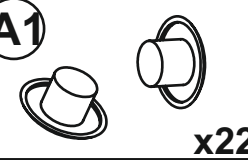
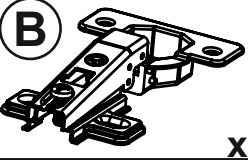
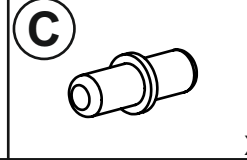
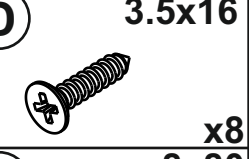
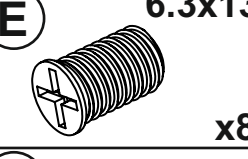
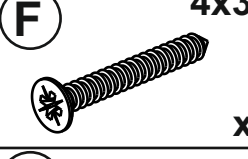
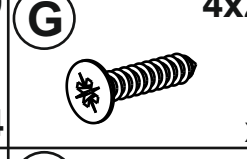
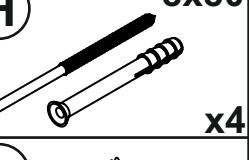
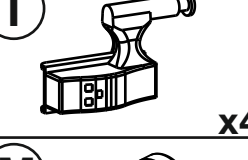
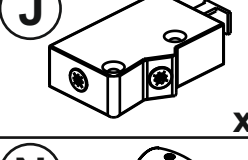
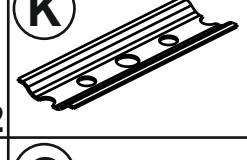
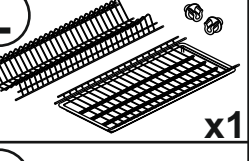
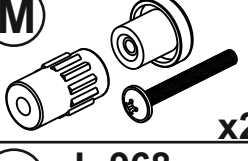
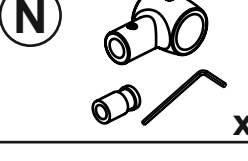
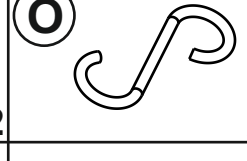
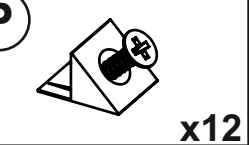

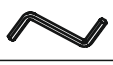
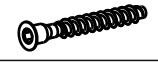




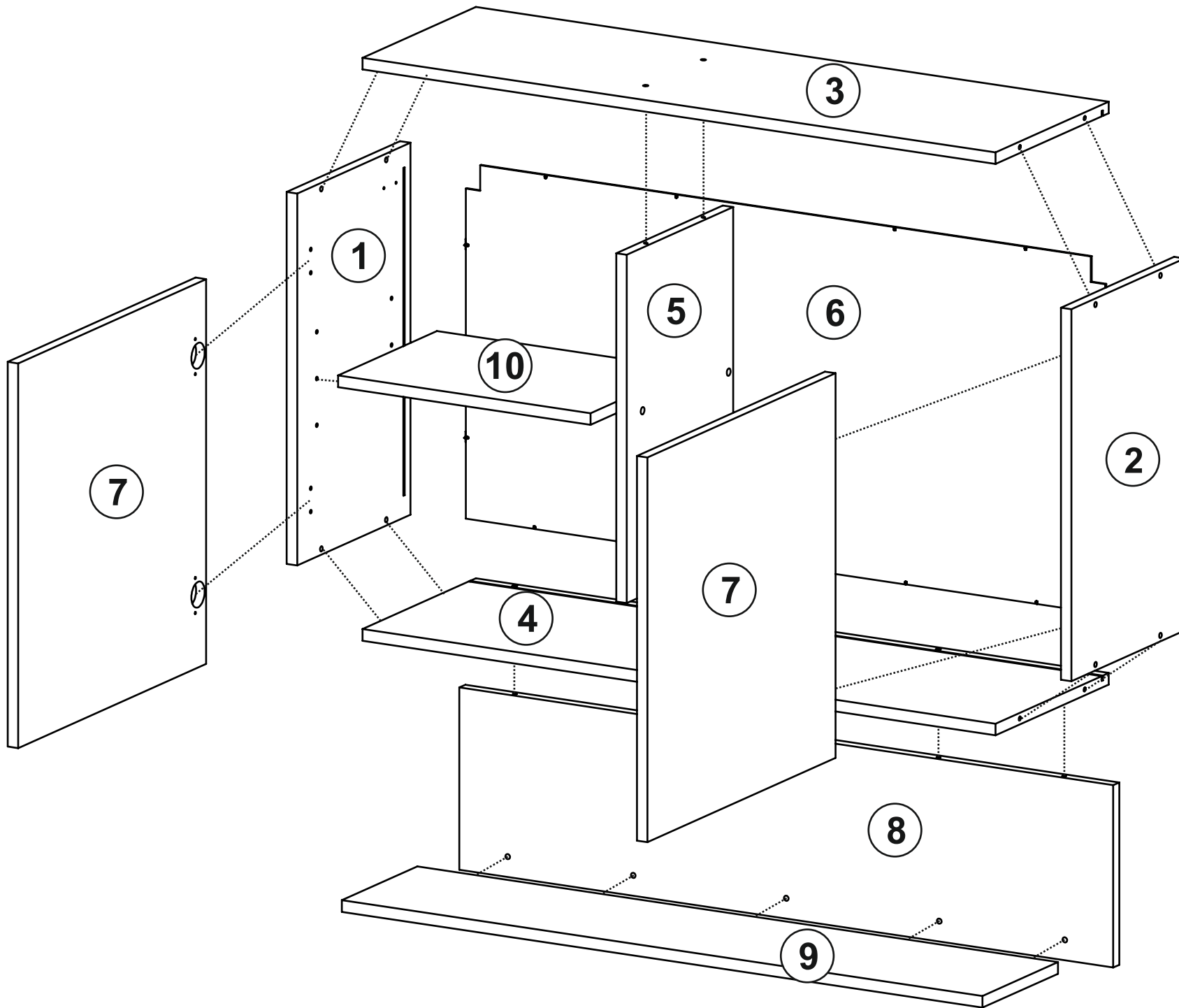
Верх з полицею «Сенс» В-76/1000/32



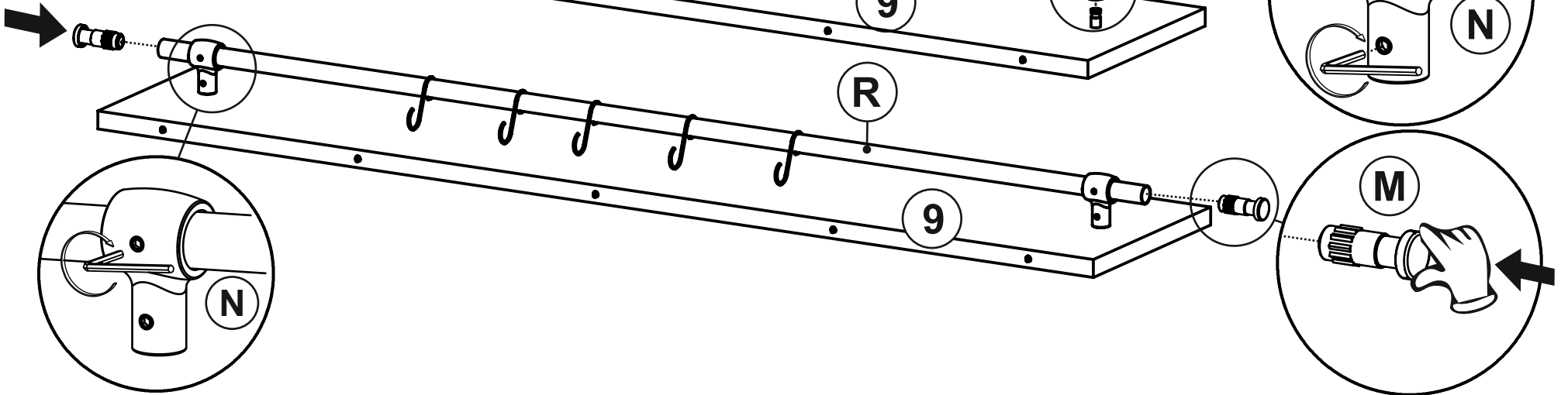
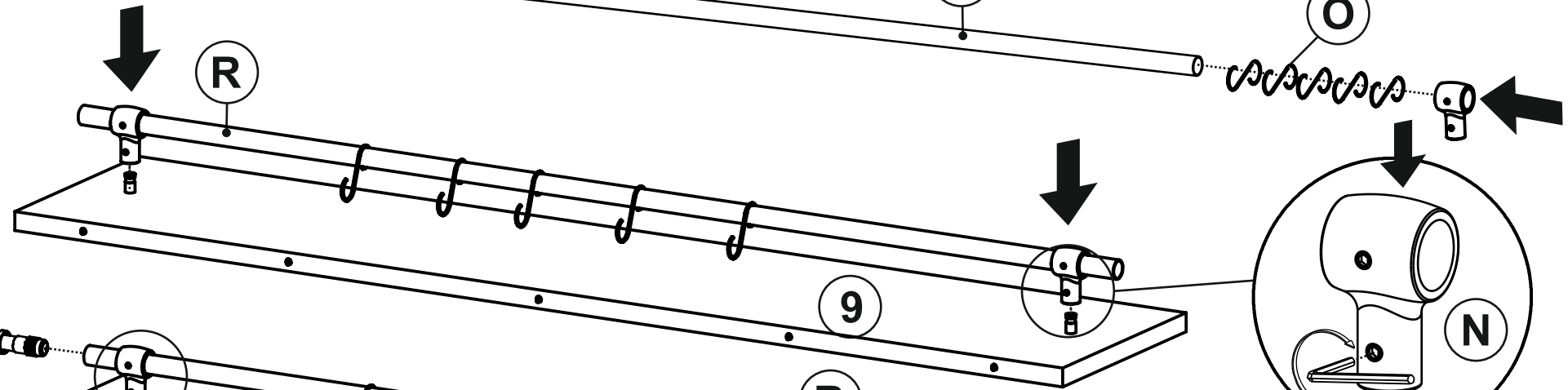
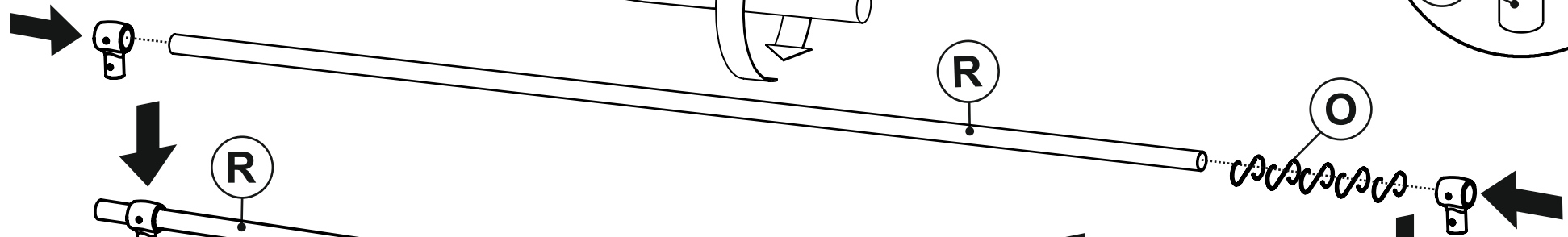
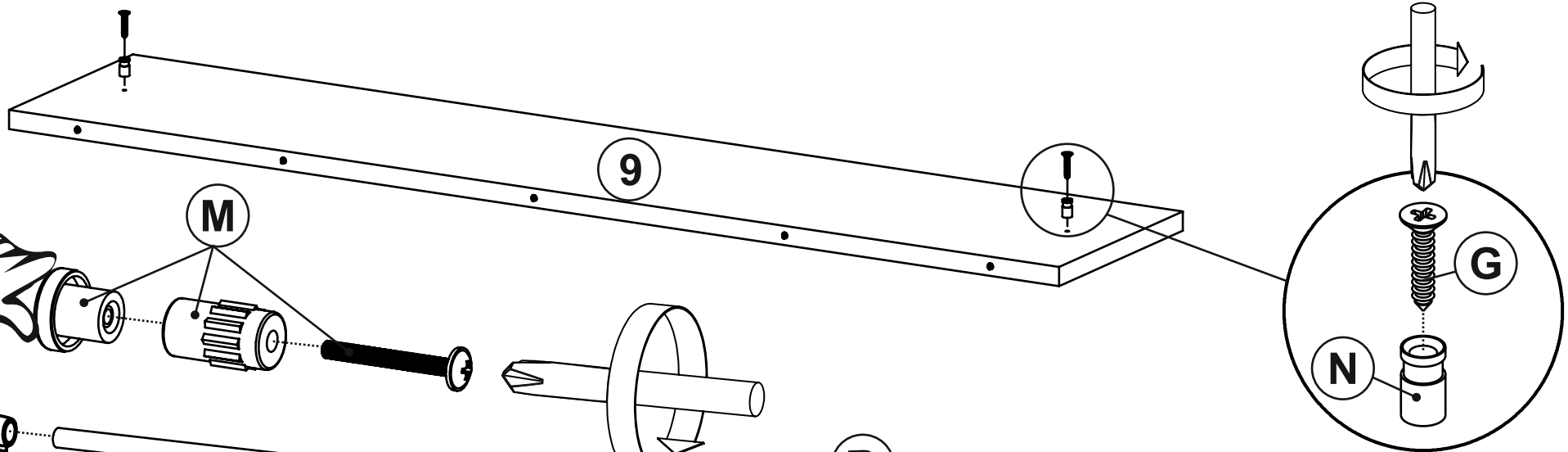


A  x1 x22	A1  x22	B  x4	C  x4
D 3.5x16  x8	E 6.3x13  x8	F 4x30  x4	G 4x20  x2
H 8x80  x4	I  x4	J  x2	K  x2
L  x1	M  x2	N  x2	O  x5
P  x12	R L-968 		

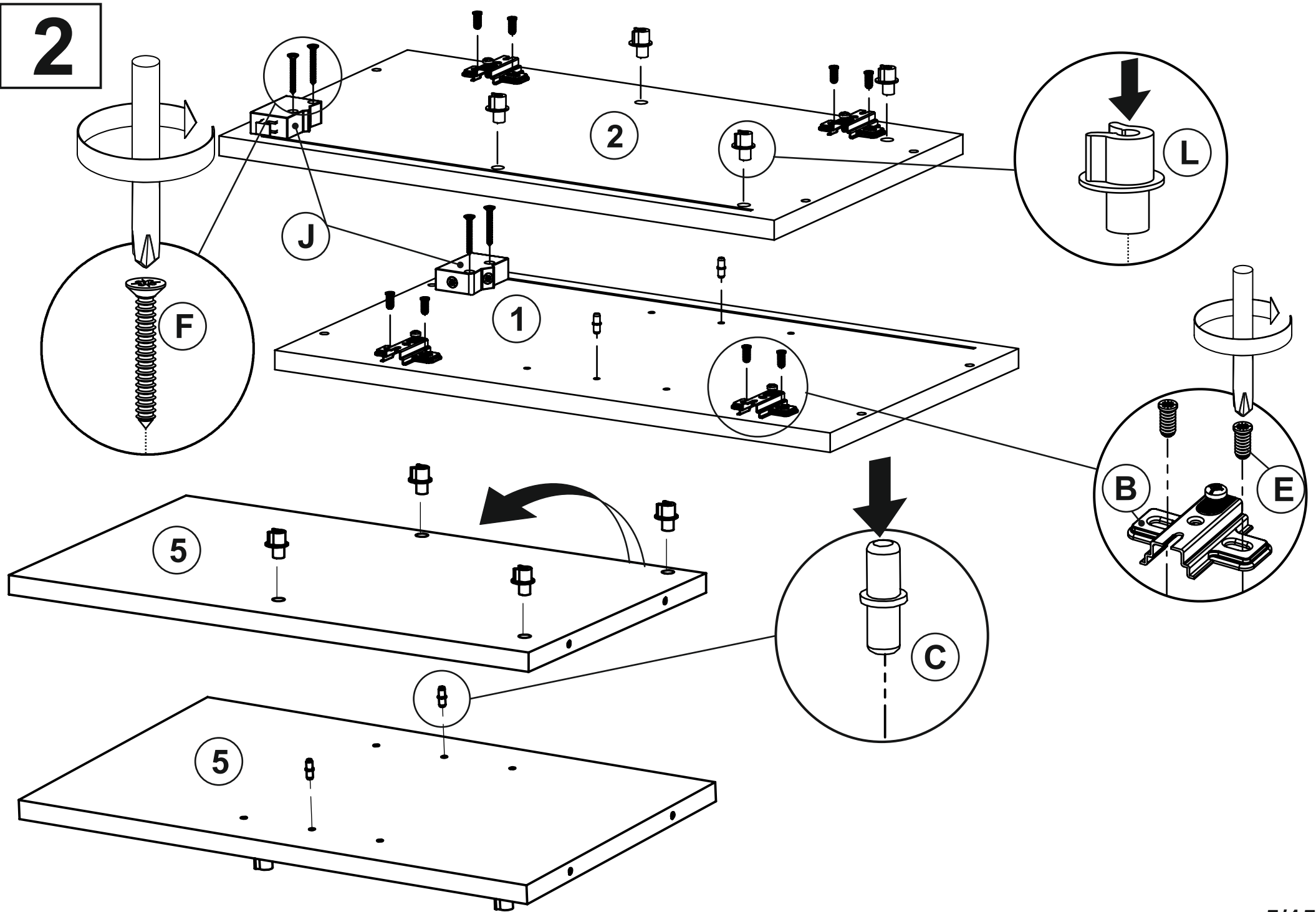
No	a x b x c	x	package
1	510x300x16	1	1/2
2	510x300x16	1	1/2
3	968x300x16	1	1/2
4	968x300x16	1	1/2
5	478x282x16	1	1/2
6	488x978x3	1	1/2
7	528x498x16	2	1/2
8	250x1000x16	1	1/2
9	200x980x16	1	1/2
10	382x262x16	1	1/2
			1/2
			2/2



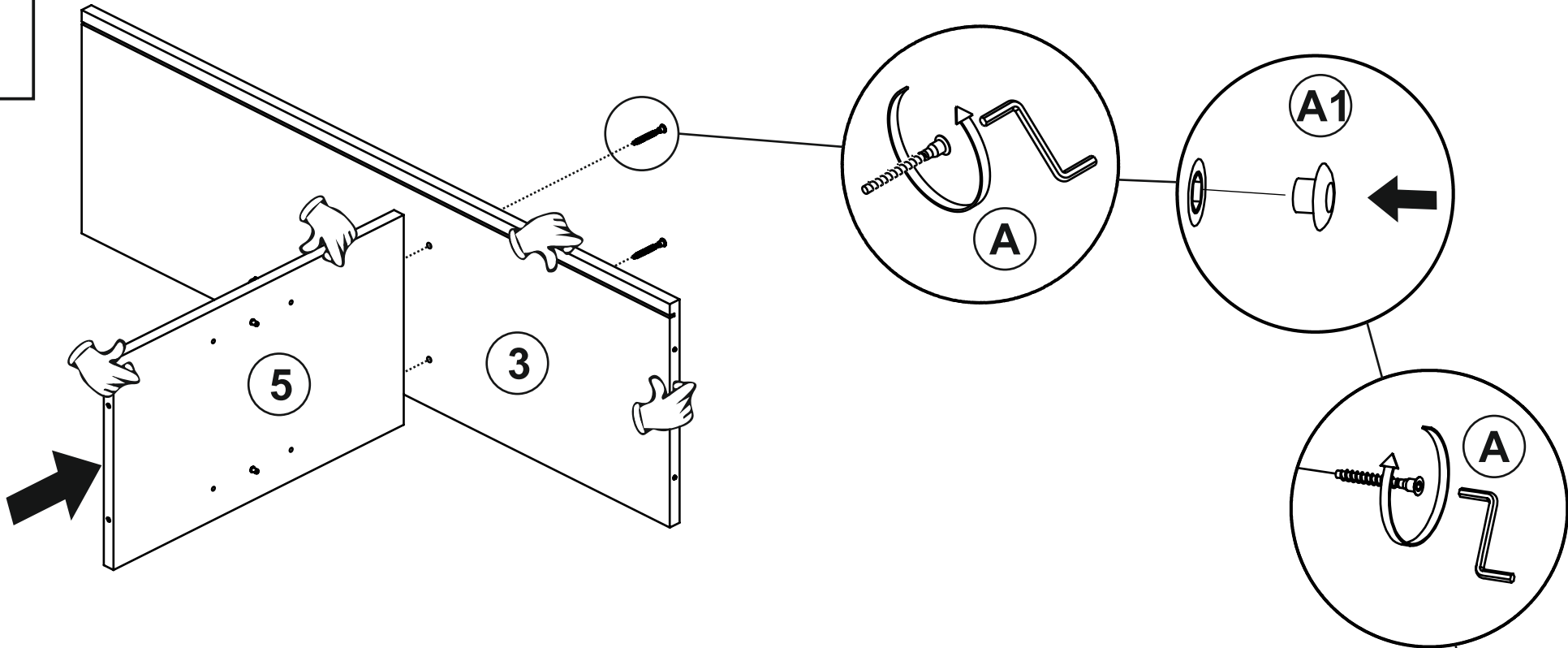
1



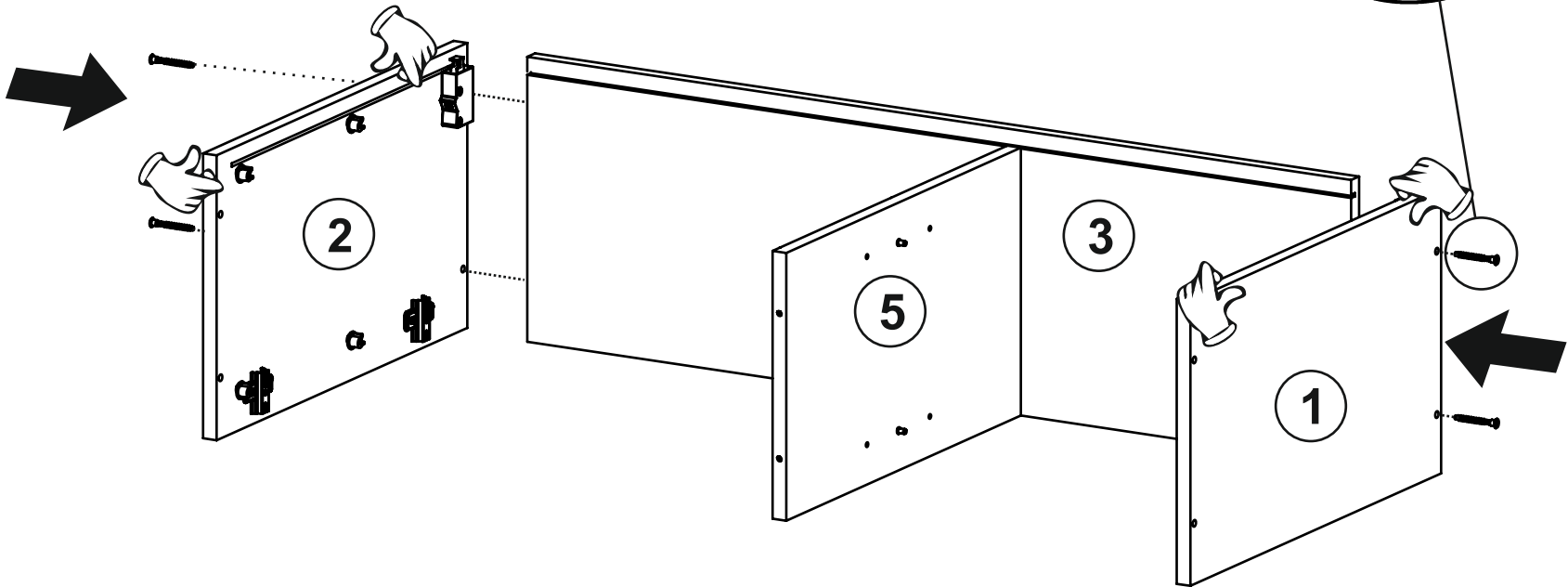
2



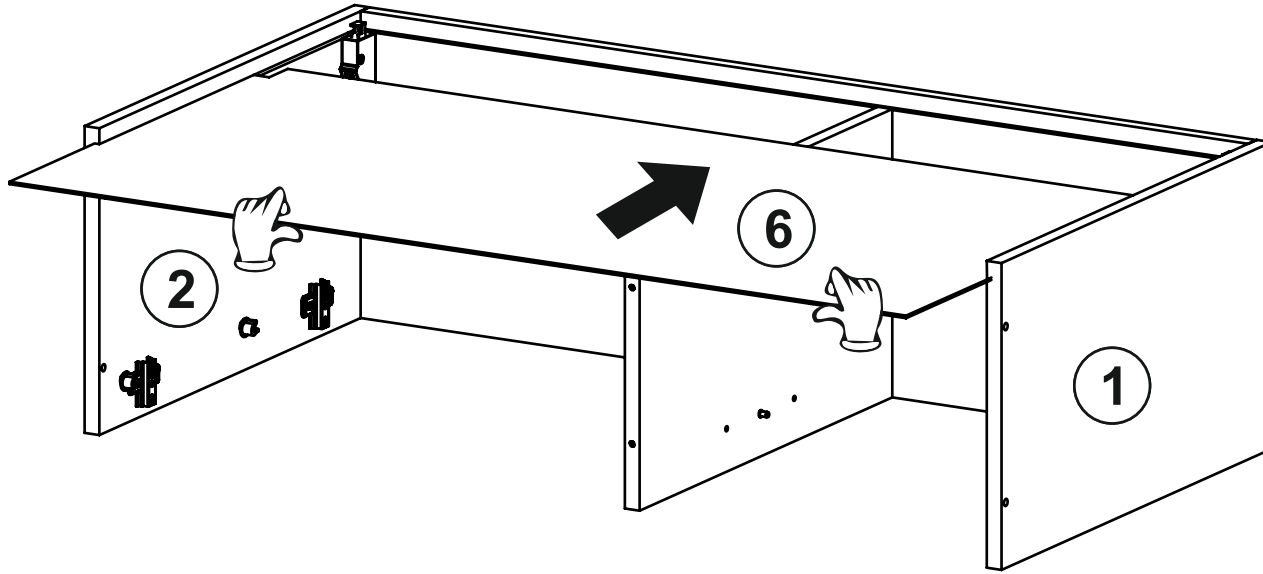
3



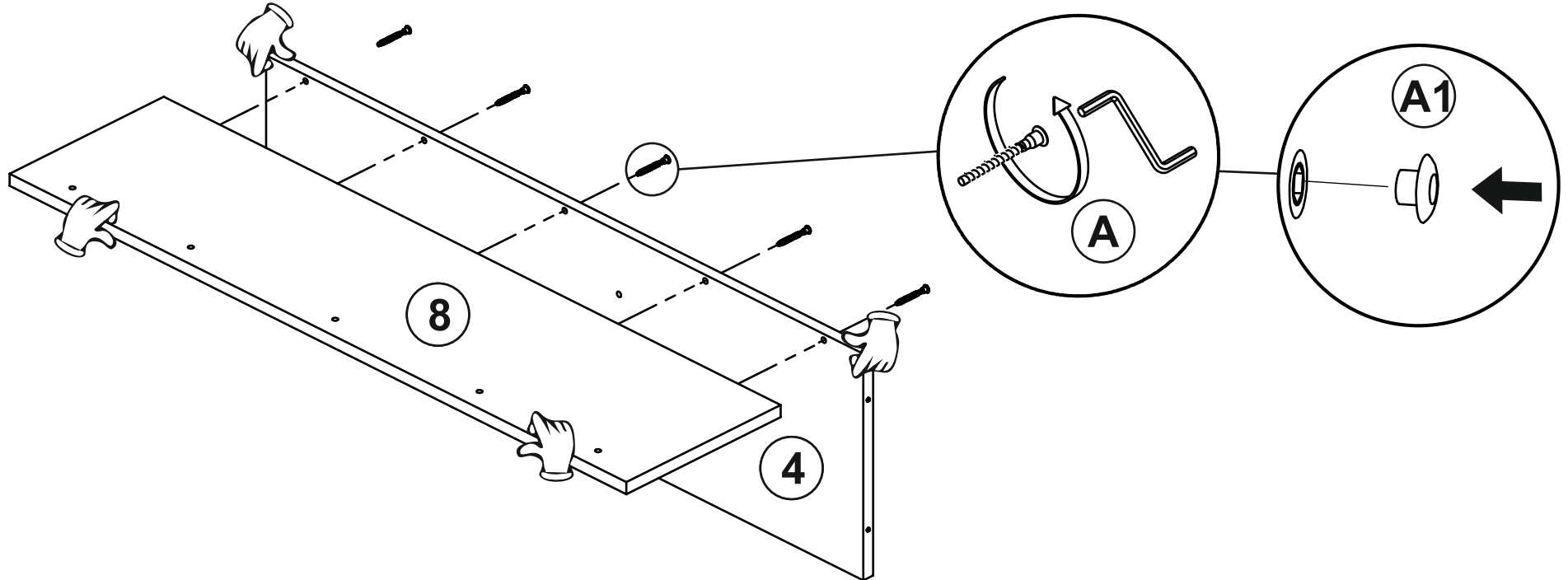
4



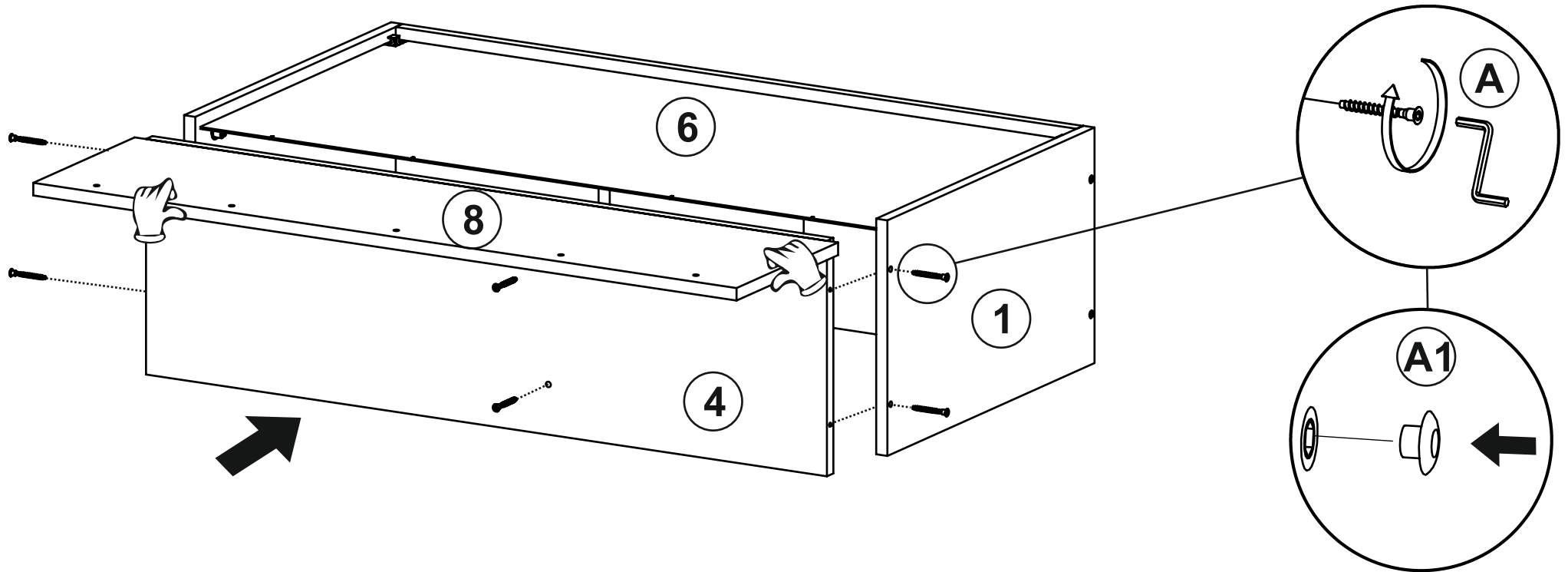
5



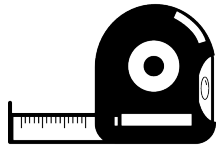
6



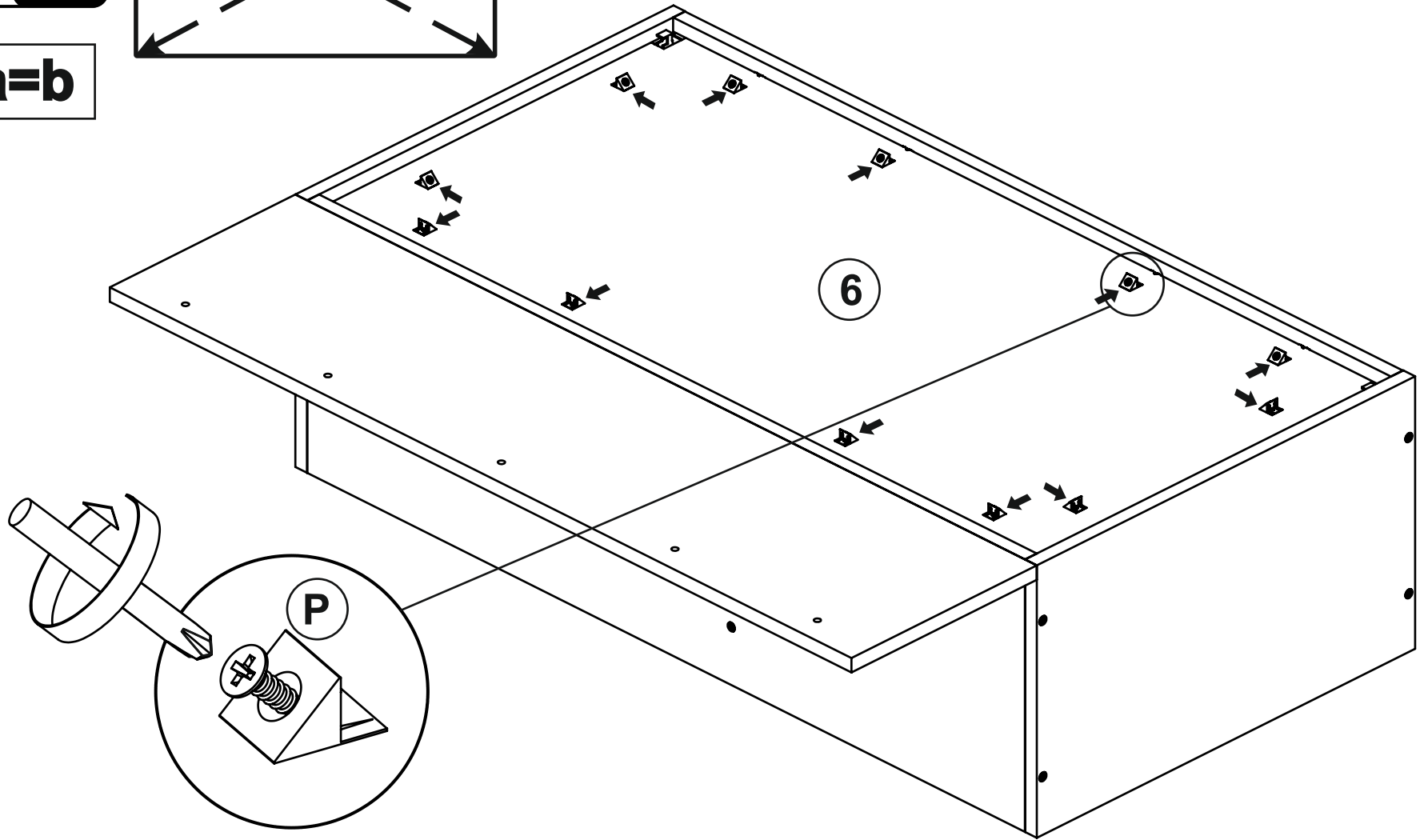
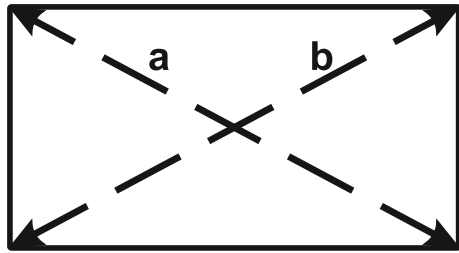
7



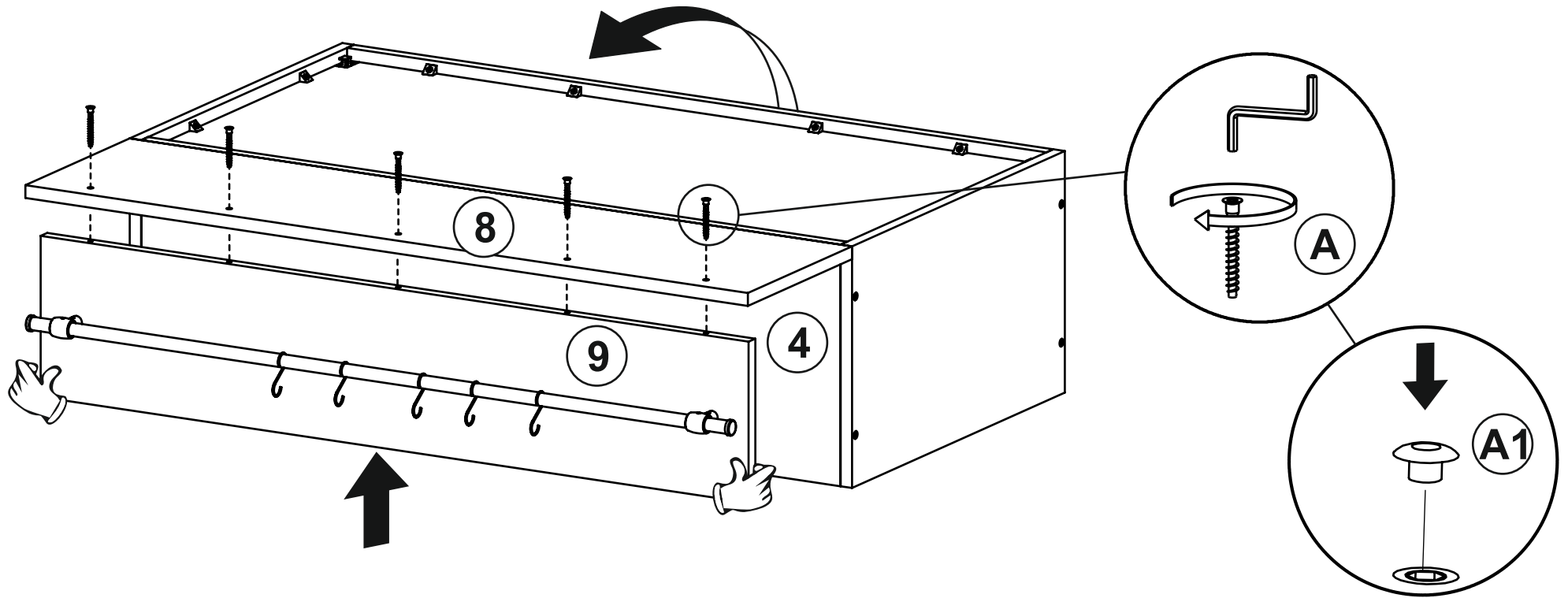
8



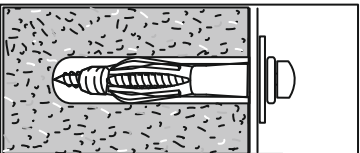
$a=b$



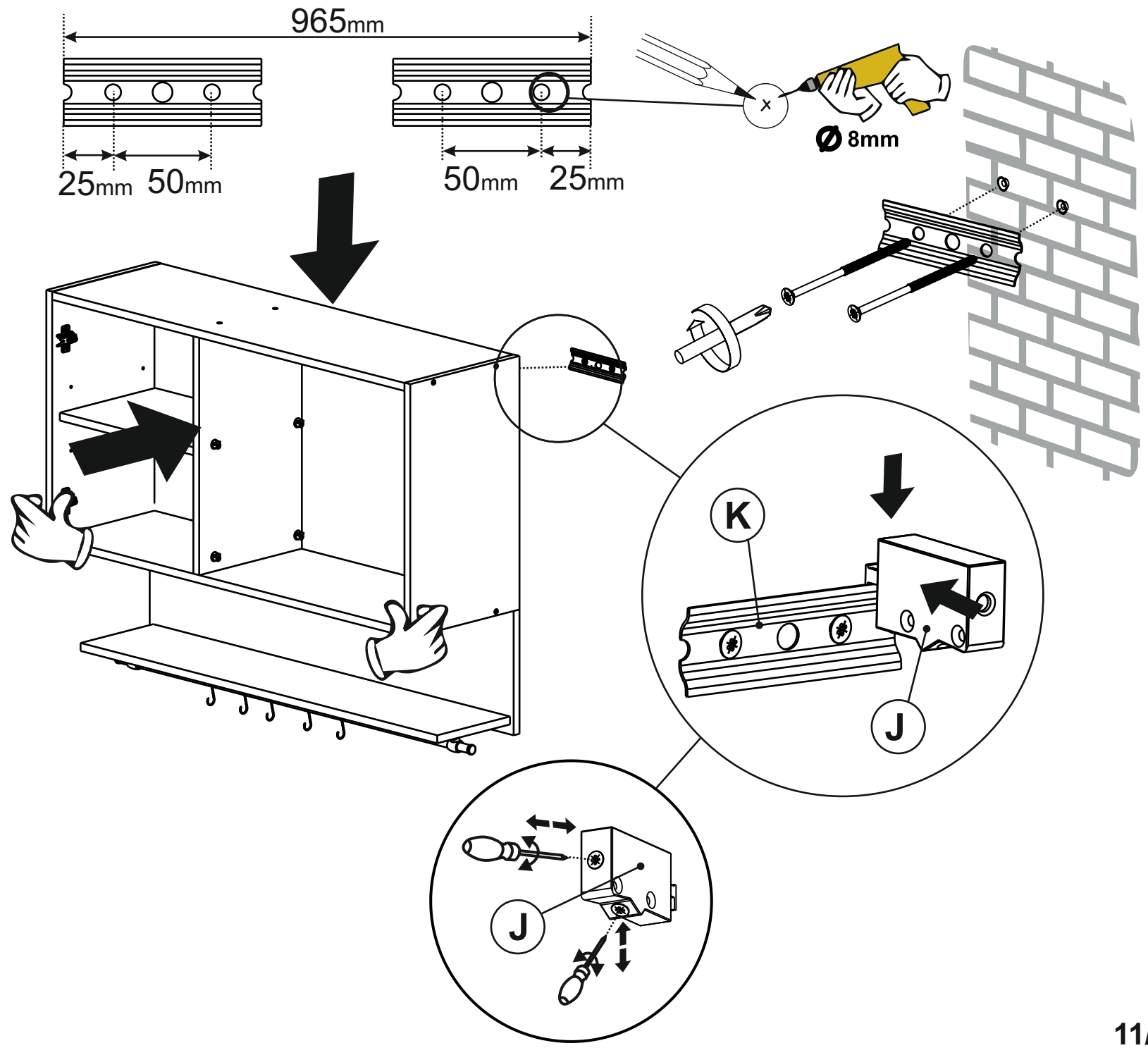
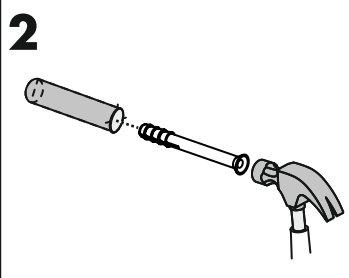
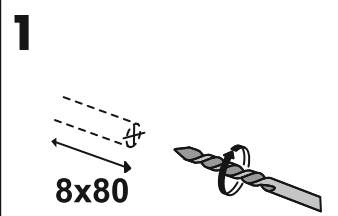
9



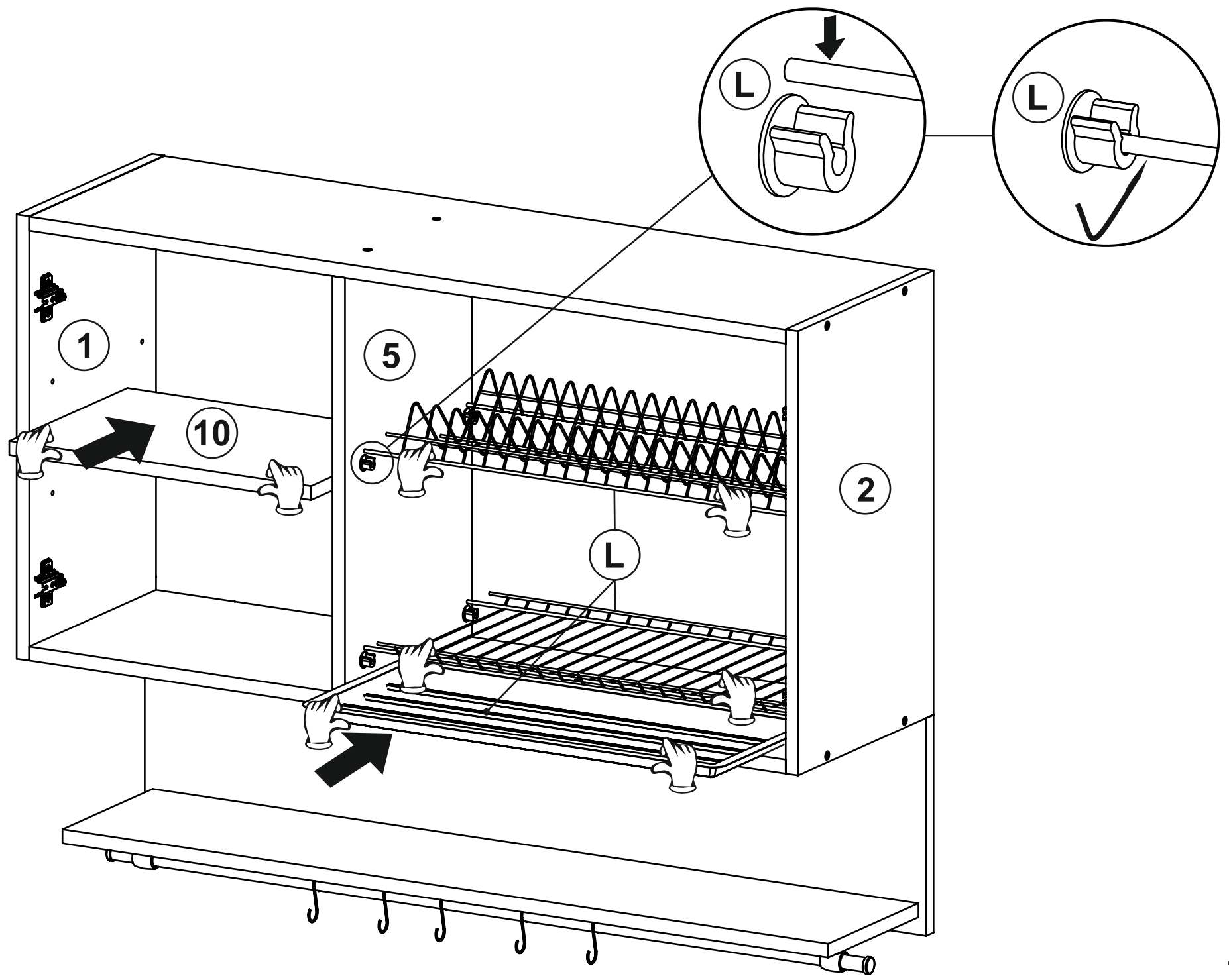
10



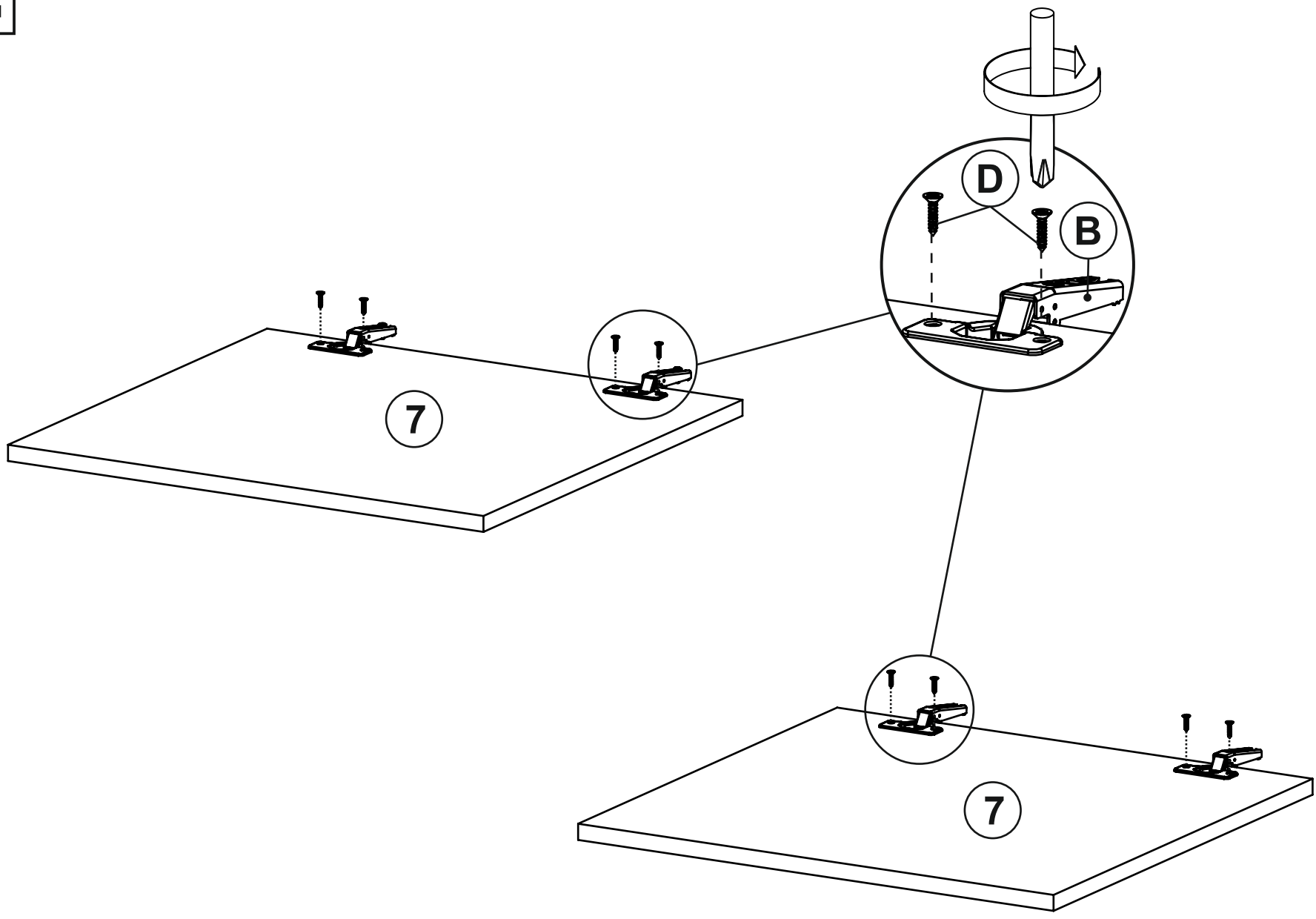
Ø 8 mm



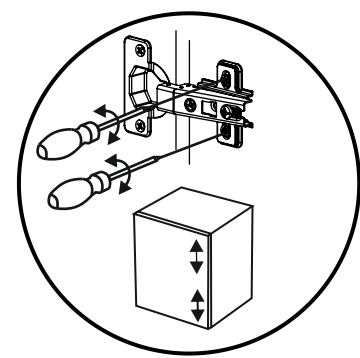
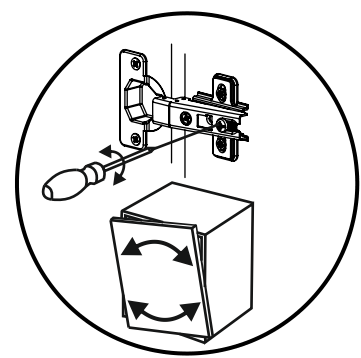
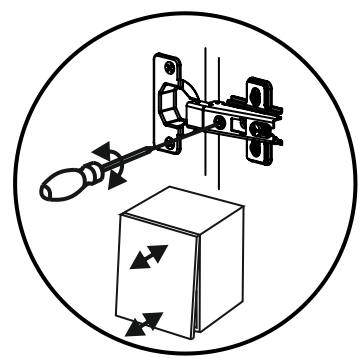
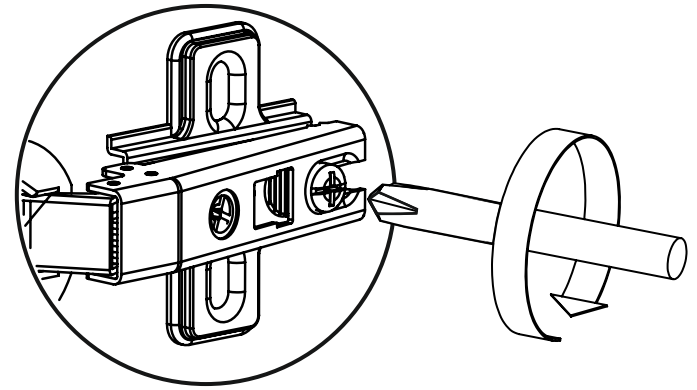
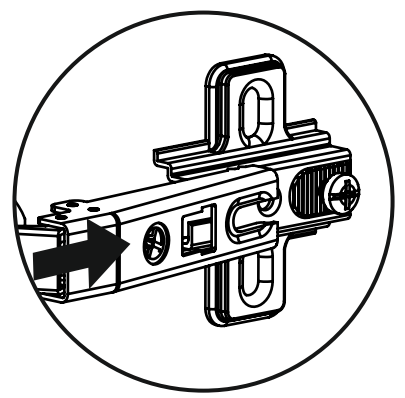
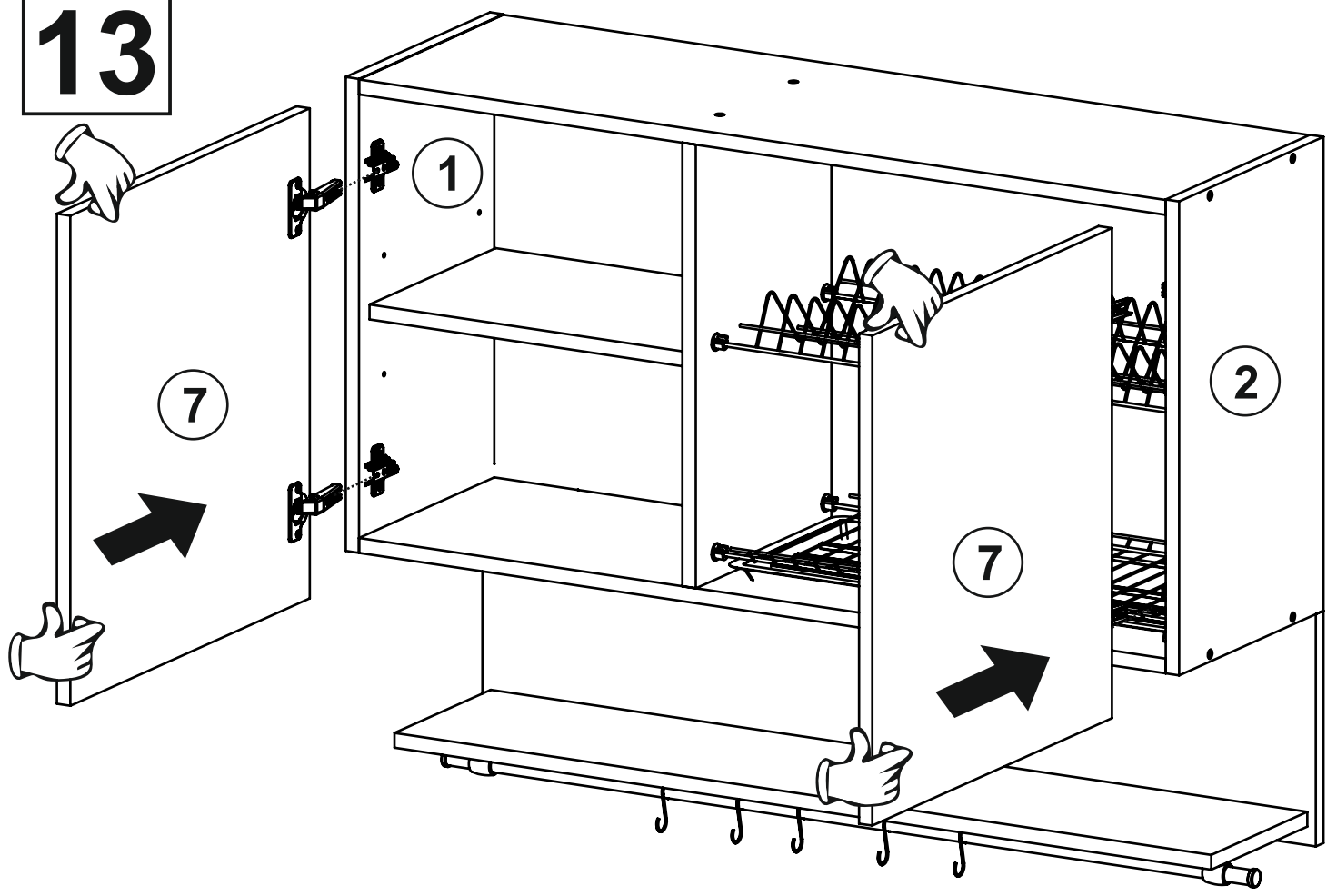
11



12



13



14

