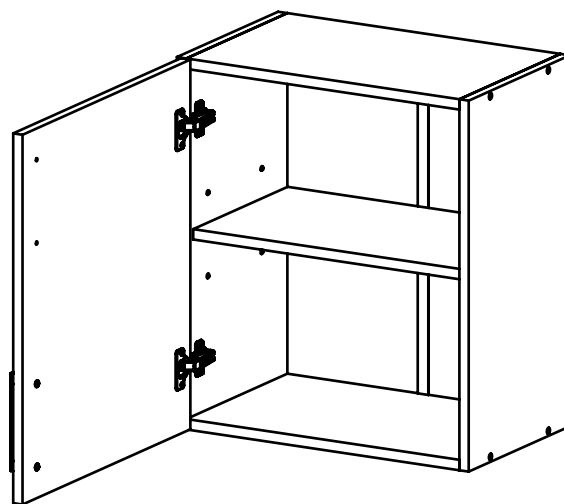
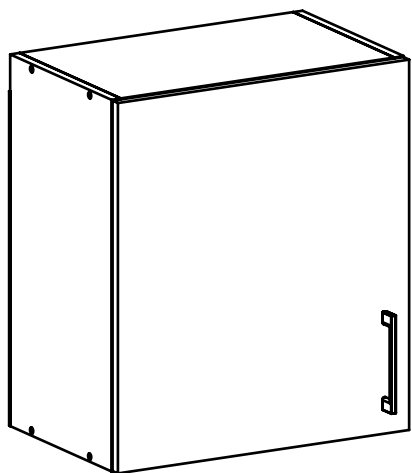


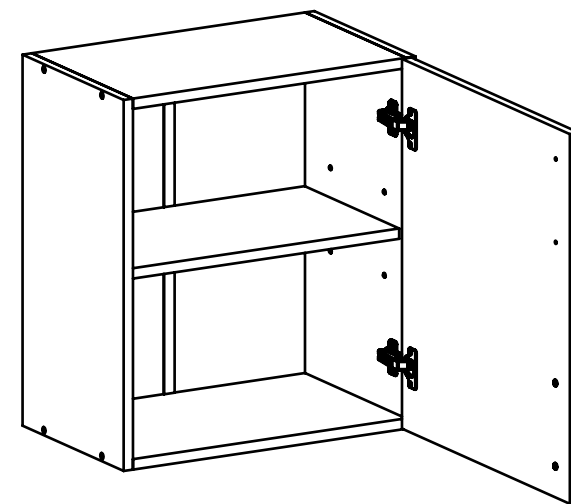
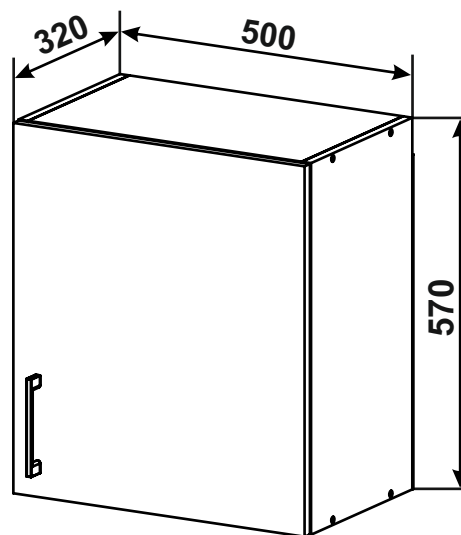
# BB-50/57; W-50/57

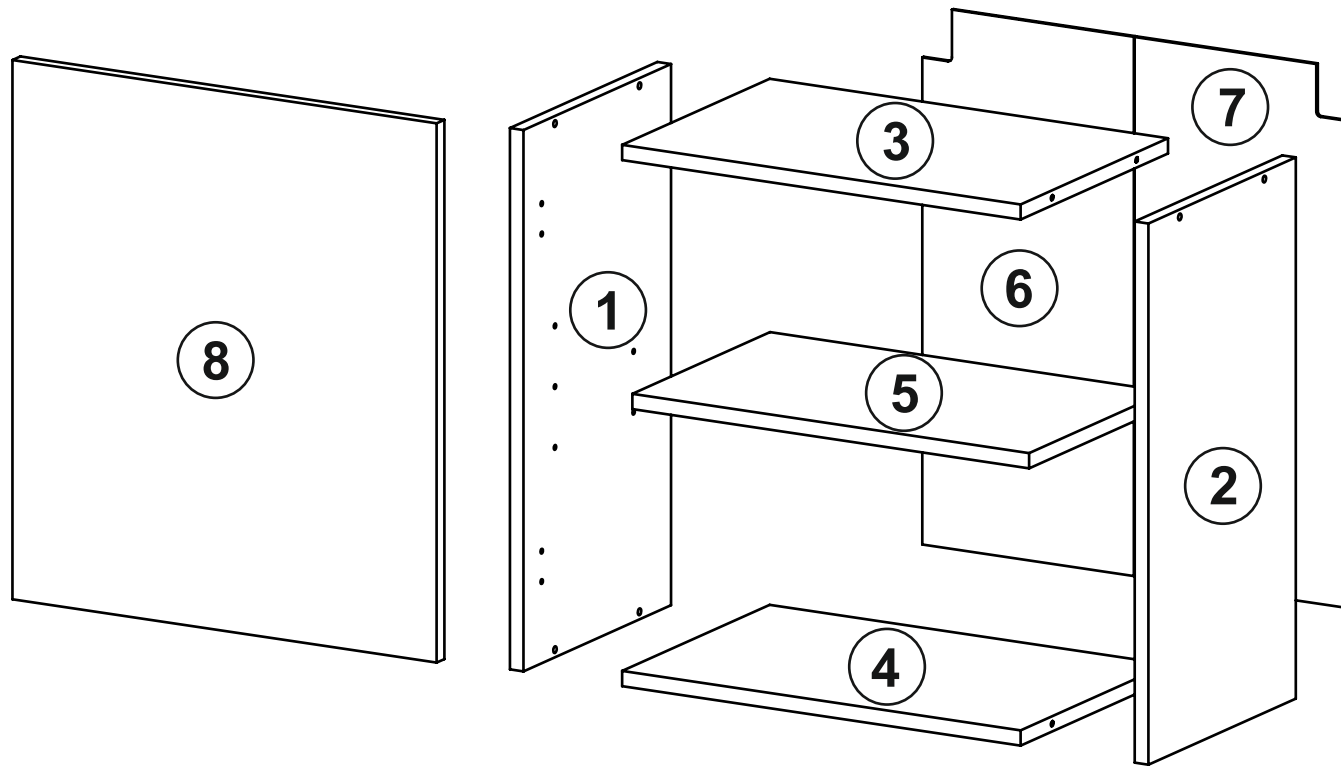



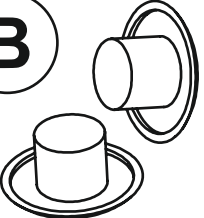
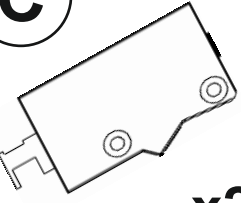

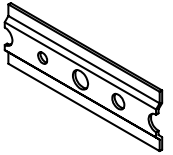

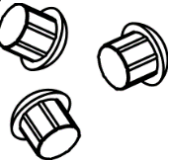
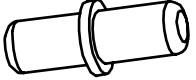
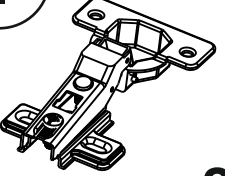

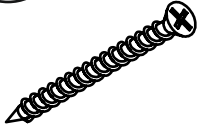
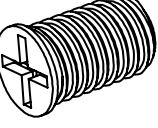
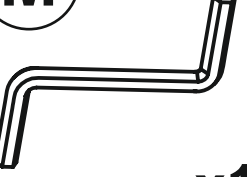


L

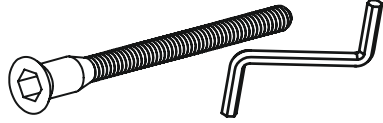




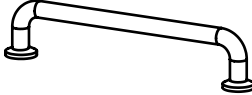

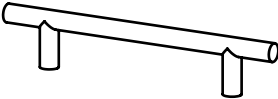



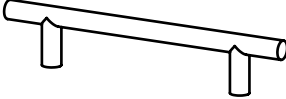

R










<p><b>A</b></p>  <p>x8</p>	<p><b>B</b></p>  <p>x8</p>	<p><b>C</b></p>  <p>x2</p>	<p><b>D</b> 8*80</p>  <p>x4</p>
<p><b>E</b></p>  <p>x2</p>	<p><b>F</b></p>  <p>20g</p> <p>x4</p>	<p><b>G</b></p>  <p>x12</p>	<p><b>H</b></p>  <p>x4</p>
<p><b>I</b></p>  <p>x2</p>	<p><b>J</b></p> <p>3.5x16</p>  <p>x4</p>	<p><b>K</b></p> <p>4x30</p>  <p>x4</p>	<p><b>L</b></p> <p>6.3x13</p>  <p>x4</p>
<p><b>M</b></p>  <p>x1</p>	<p><b>N</b> L - 538</p>  <p>x1</p>	<p><b>O</b></p>  <p>ИНСТРУКЦИЯ</p> <p>x1</p>	

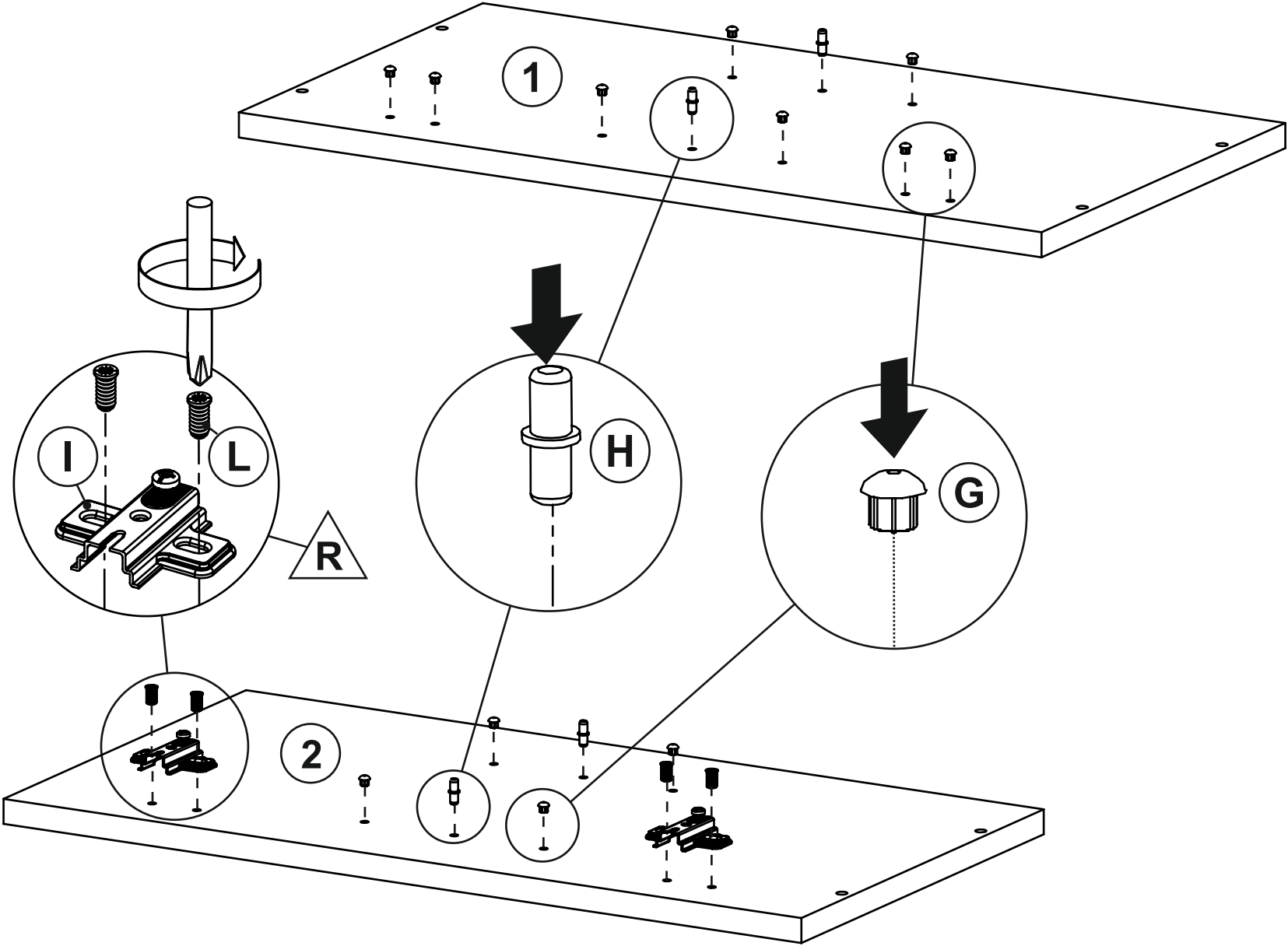
№	AxBxC	x	Package
1	570x300x16	1	1
2	570x300x16	1	1
3	468x300x16	1	1
4	468x300x16	1	1
5	466x280x16	1	1
6	247x566x3	1	1
7	247x566x3	1	1
8	567x497x16/18/19	1	2
	1	1	

<p><b>P</b></p> <p>4x25</p> <p>8) 567x497x16</p>	<p>D 705/128 BLKM D 705/128 G2</p> 	<p>D - 115/28 G4</p> 	<p>4/105/128 BLK</p> 
<p><b>Q</b></p> <p>4x30</p> <p>8) 567x497x18/19</p>	<p>CR 40/128 MBSN CR 40/128 ORB</p> 	<p>Φ.412.011 BLK Φ.412.011 Satin</p> 	<p>656/128 Soft Touch</p> 
 <p>x2</p>	<p>DU 27/128 AL</p> 	<p>DR - 11/128 SS BLK</p> 	<p>Φ.412.047 Satin Φ.412.047 BLK</p> 

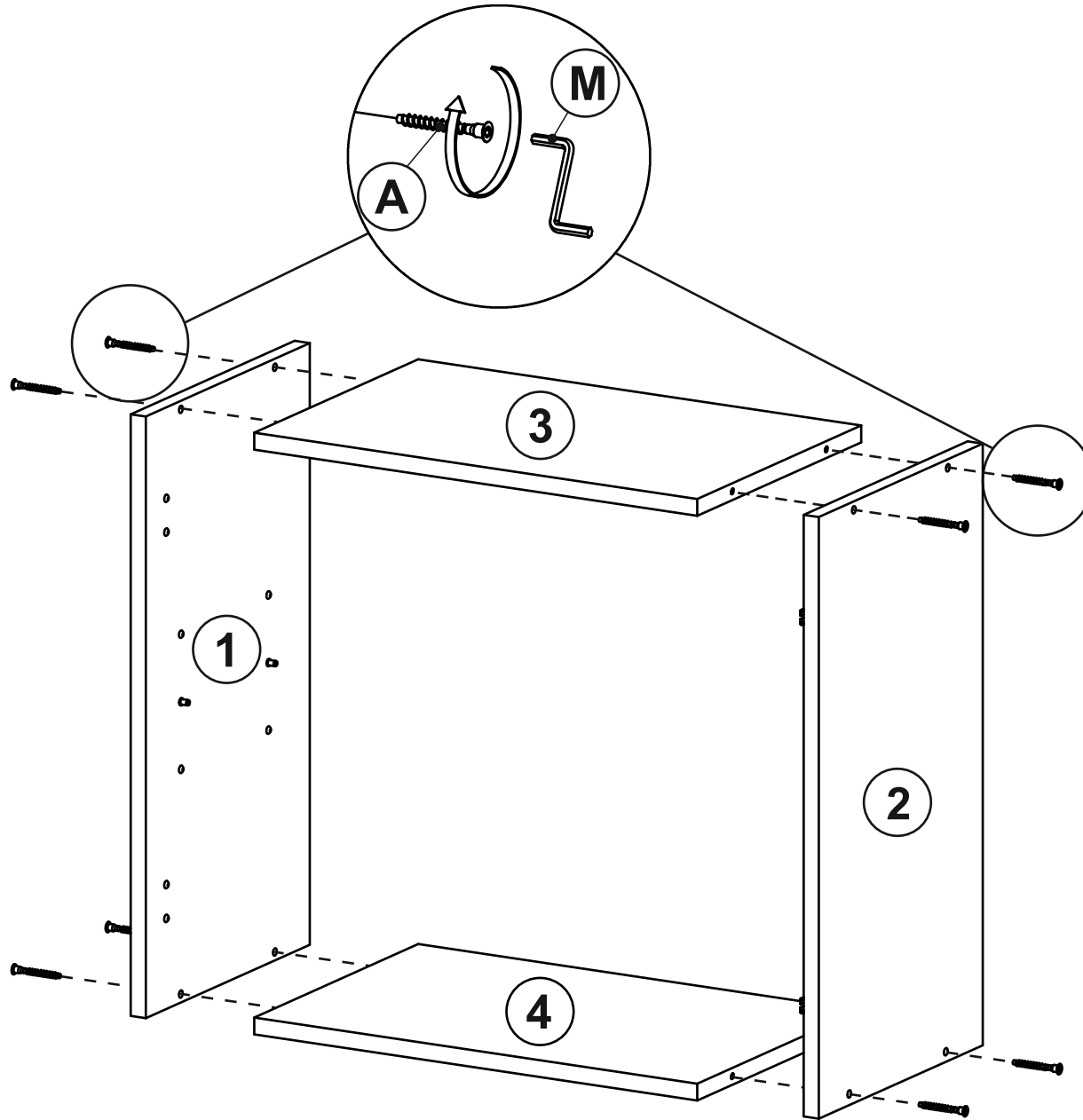
<p><b>R</b></p> <p>4x20</p> <p>8) 567x497x16</p>	<p>DS 26/128 P9</p> 
<p><b>P</b></p> <p>4x25</p> <p>8) 567x497x18/19</p>	<p>DN 54/128 G2 DN 54/128 G5</p> 
 <p>x2</p>	

<p><b>S</b></p> <p>3x13</p>  <p>x2</p>	<p>Φ.412.056</p> 
---	--

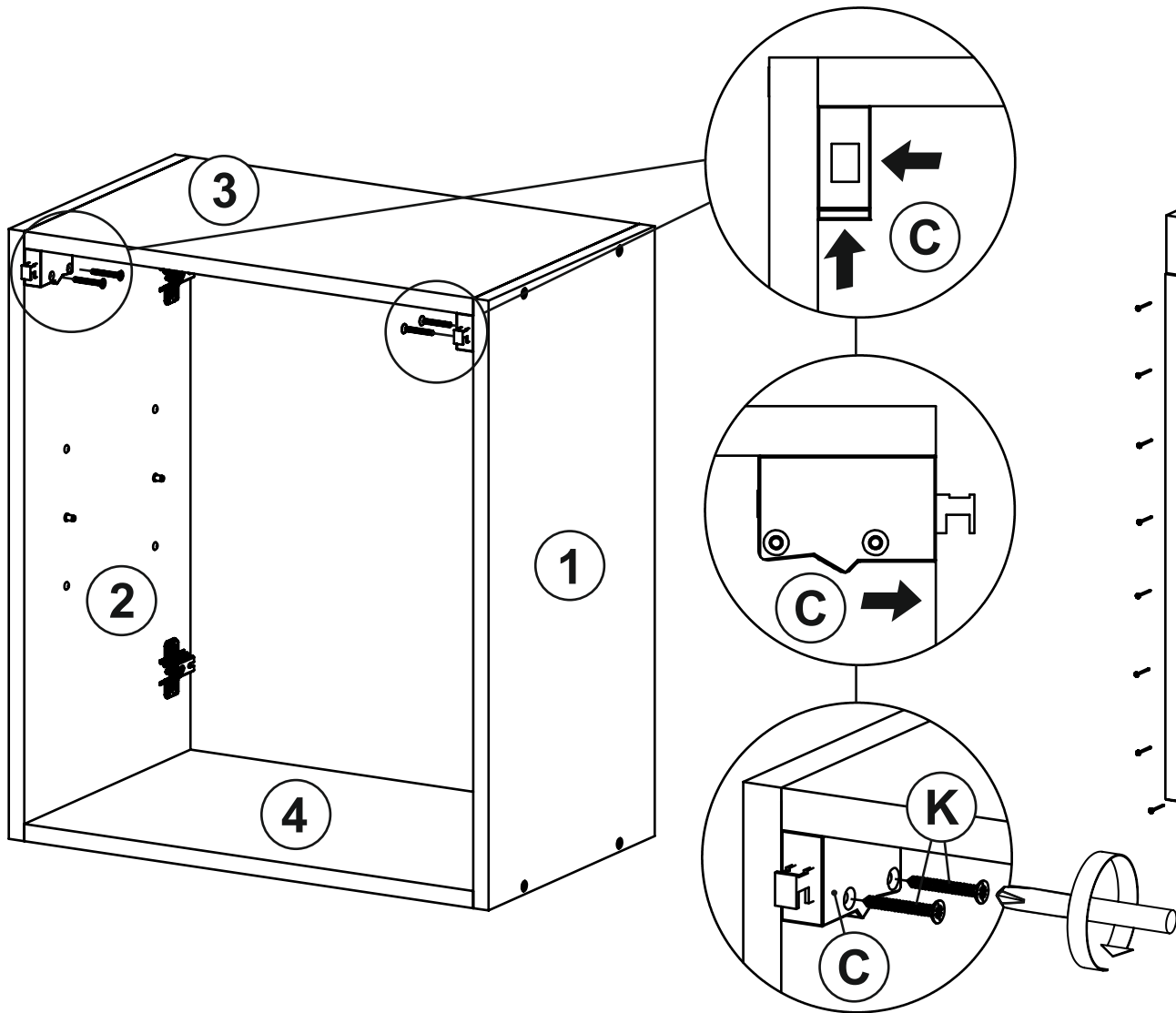
1



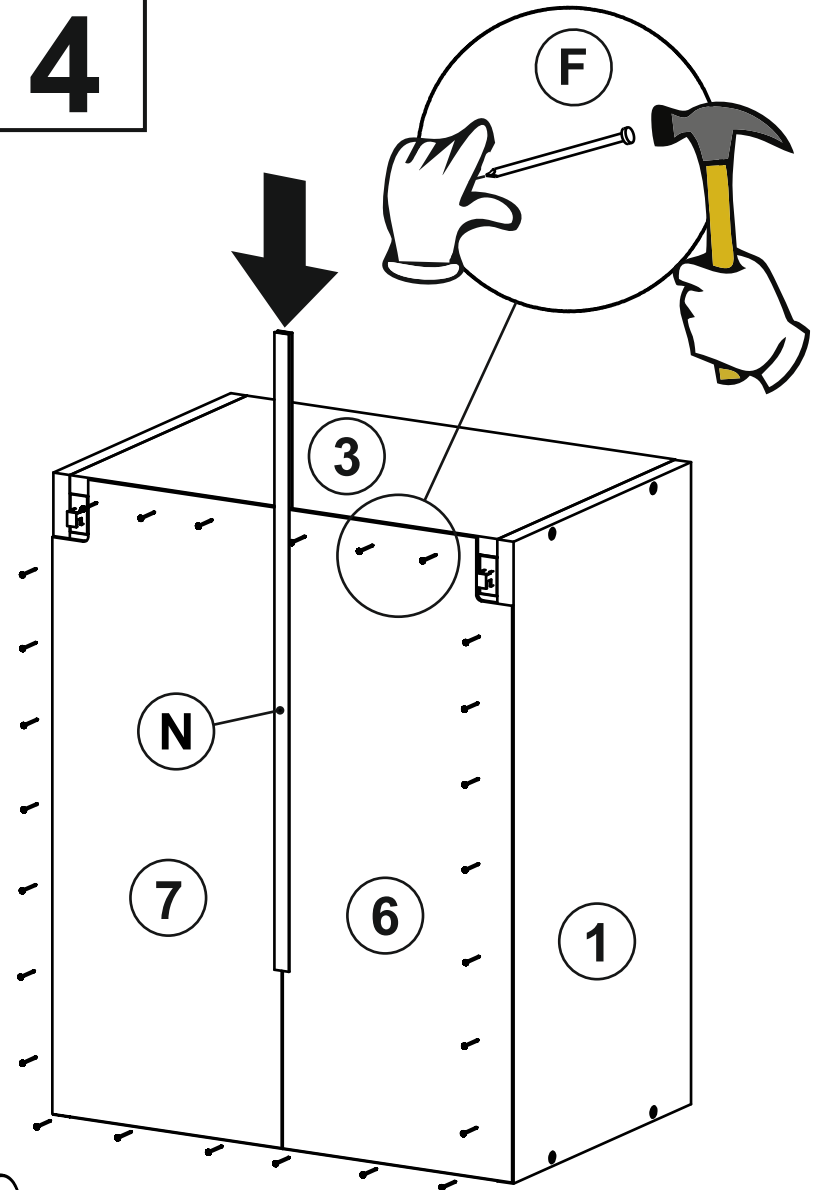
2



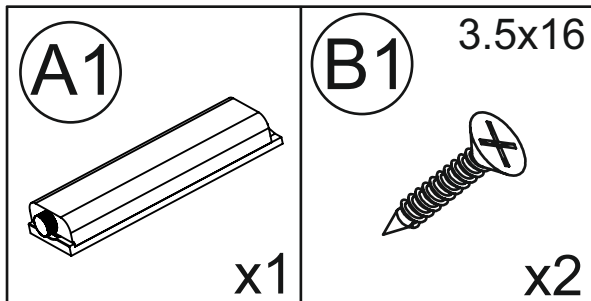
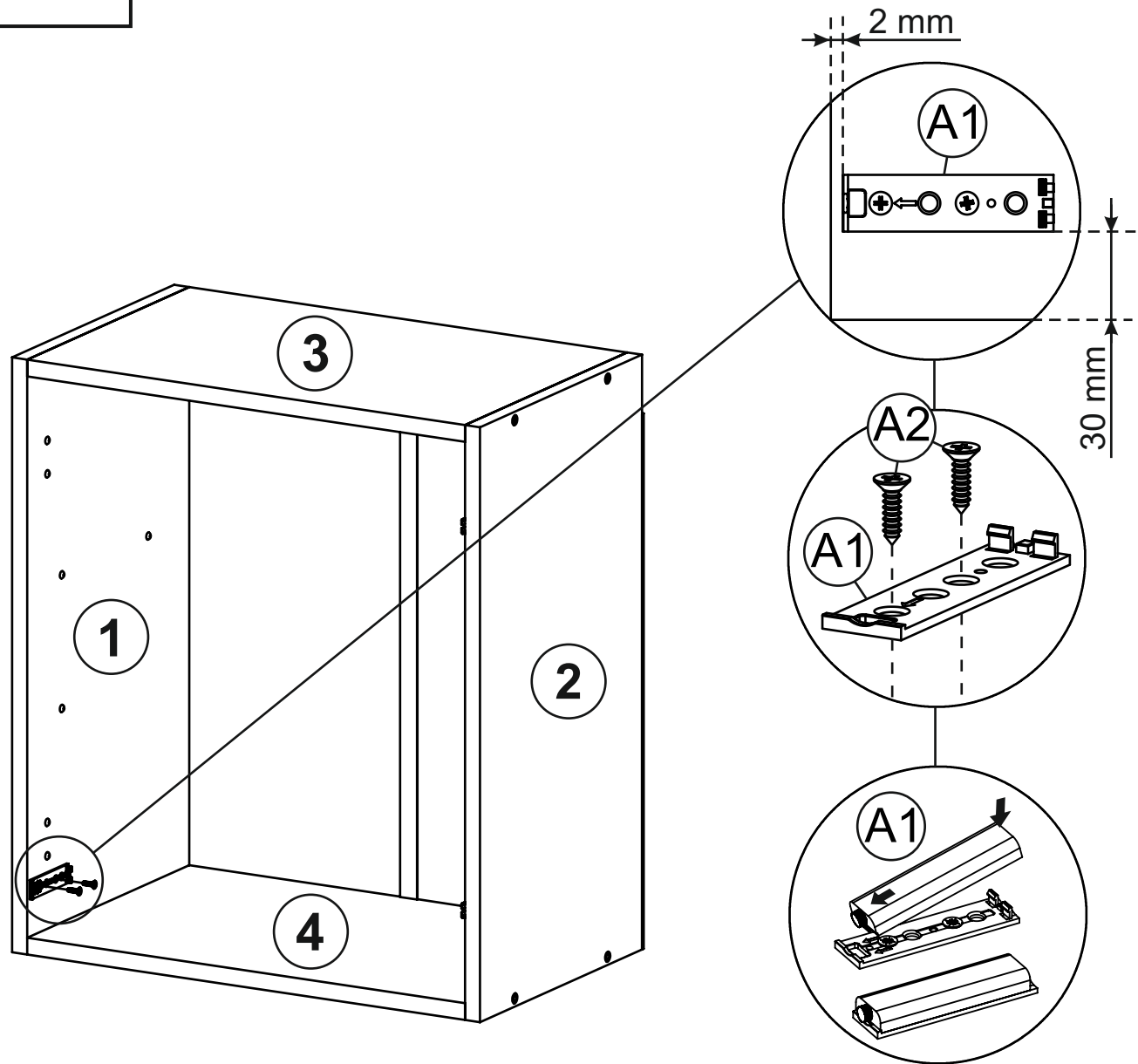
3



4

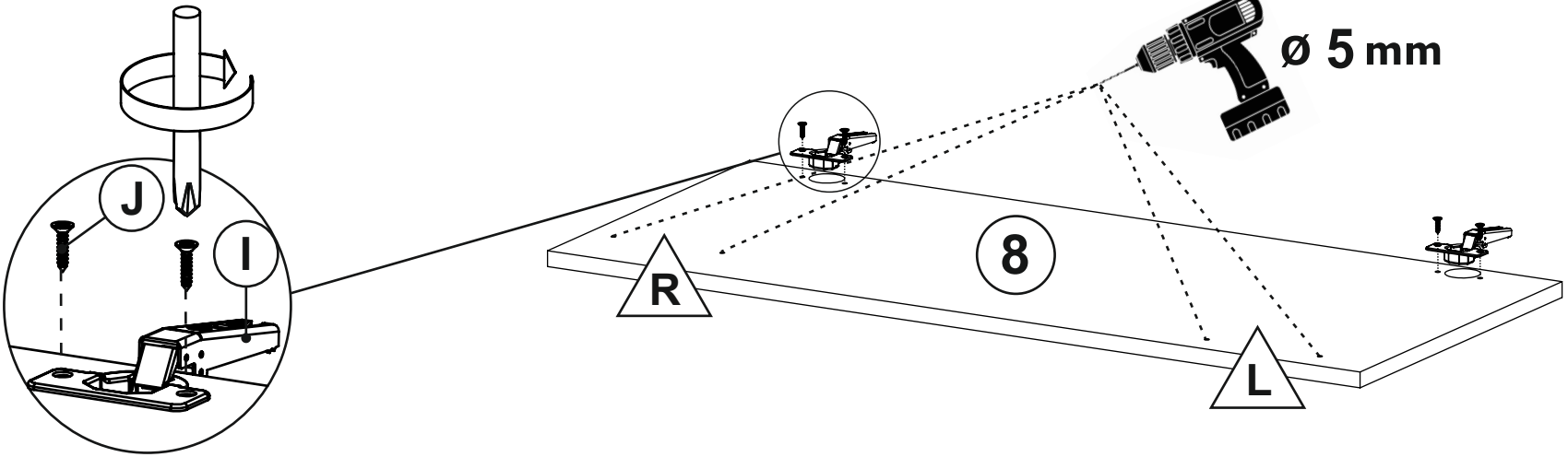


# Alpha, Royal front wall



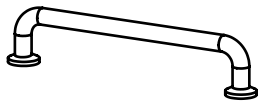

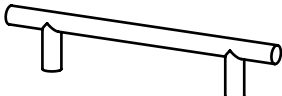
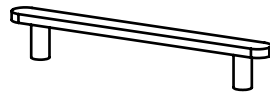

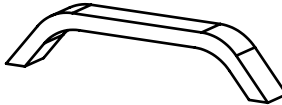
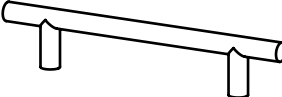



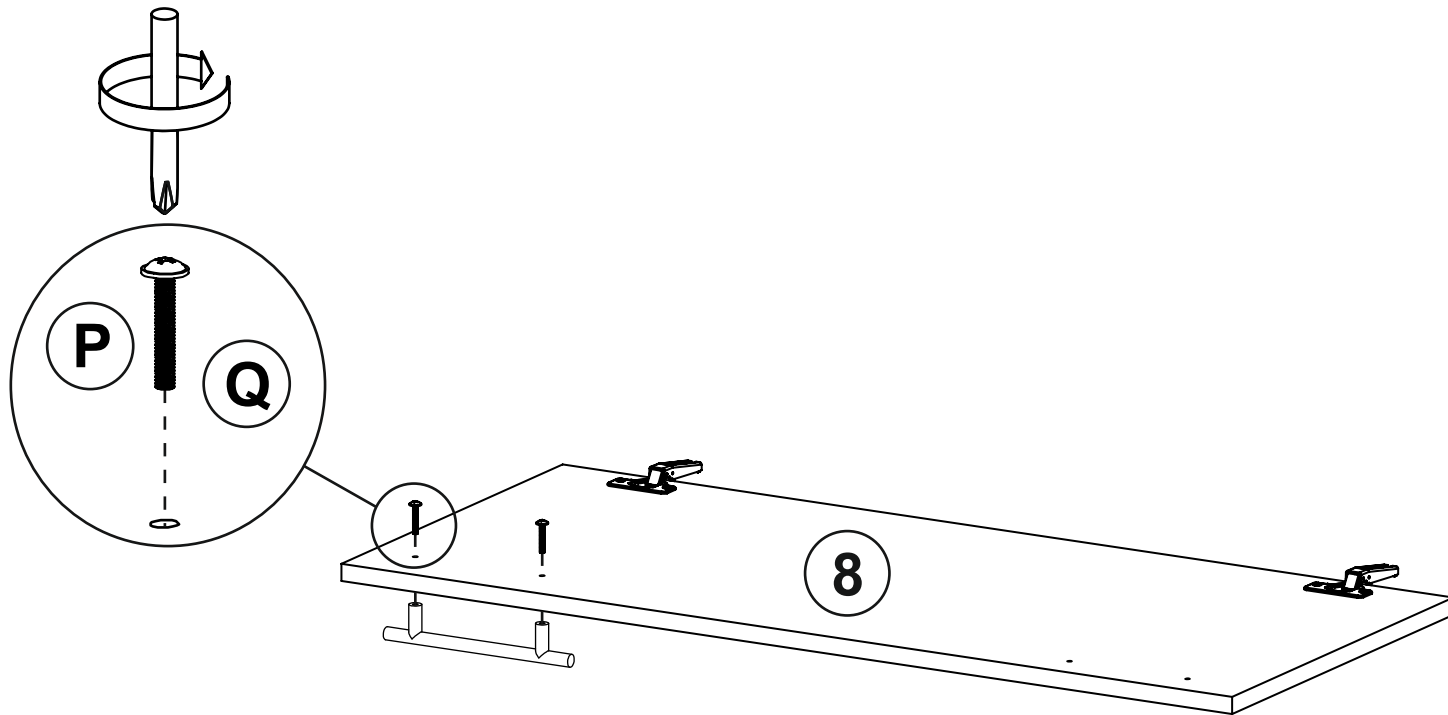
5




	Alpha, Royal front wall	
---	-------------------------	---

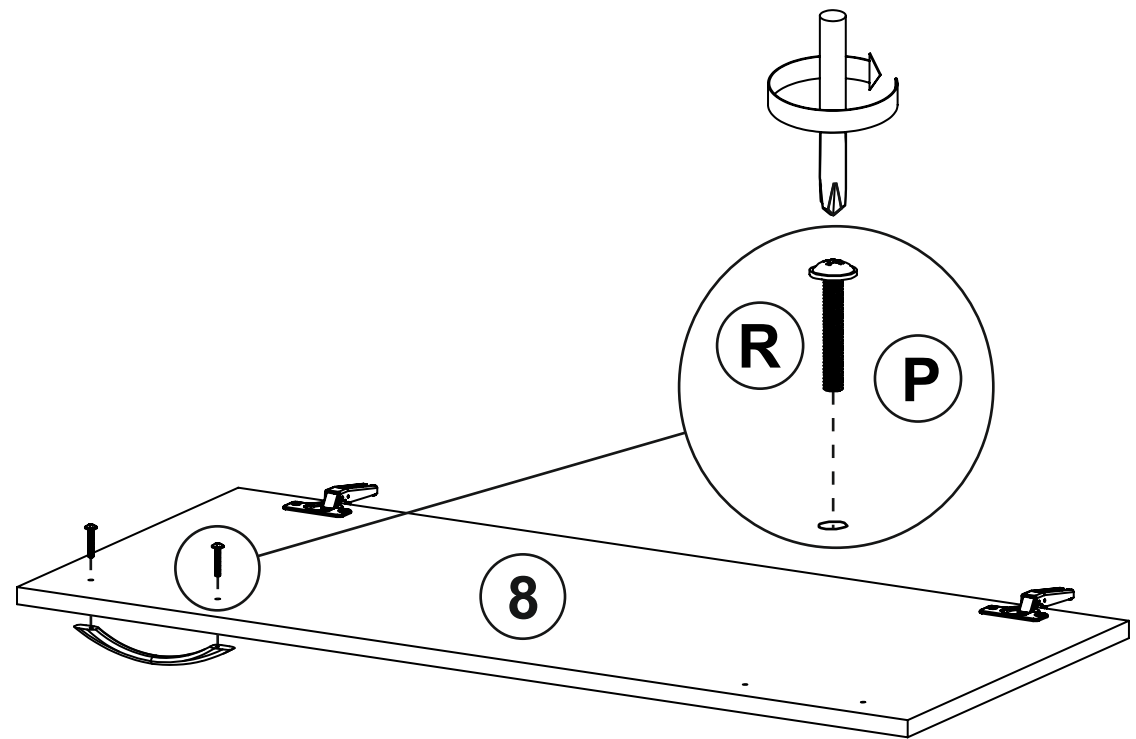




# 6

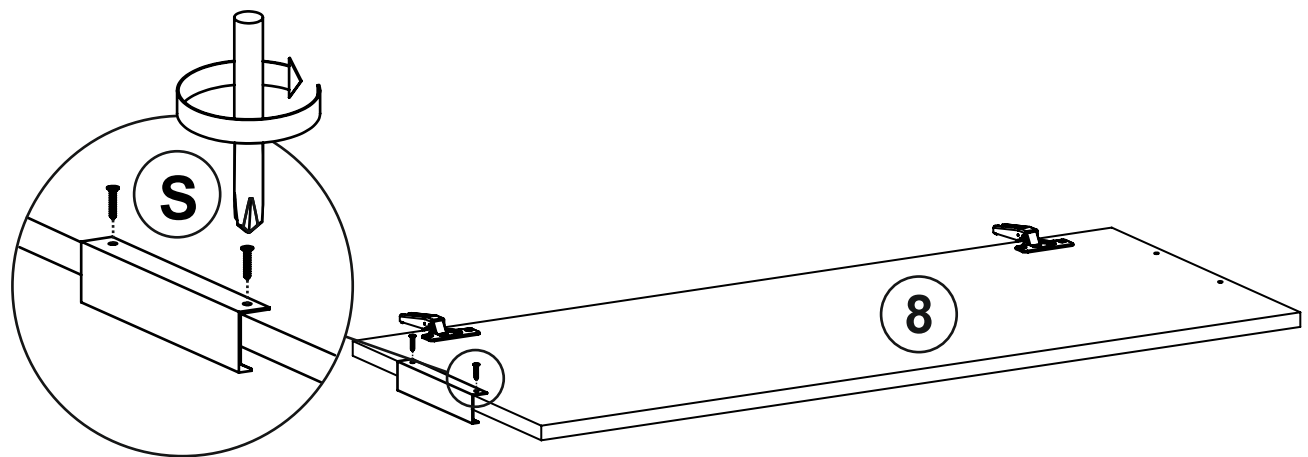
<p><b>P</b></p> <p>4x25</p> <p>8) 567x497x16</p>	<p>D 705/128 BLKM D 705/128 G2</p> 	<p>D - 115/28 G4</p> 	<p>4/105/128 BLK</p> 
<p><b>Q</b></p> <p>4x30</p> <p>8) 567x497x18/19</p>	<p>CR 40/128 MBSN CR 40/128 ORB</p> 	<p>Φ.412.011 BLK Φ.412.011 Satin</p> 	<p>656/128 Soft Touch</p> 
 <p>x2</p>	<p>DU 27/128 AL</p> 	<p>DR - 11/128 SS BLK</p> 	<p>Φ.412.047 Satin Φ.412.047 BLK</p> 



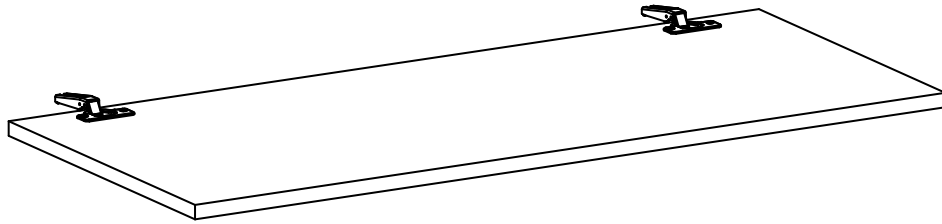
<p><b>R</b></p> <p>4x20</p> <p>8) 567x497x16</p>	<p>DS 26/128 P9</p> 
<p><b>P</b></p> <p>4x25</p> <p>8) 567x497x18/19</p>	<p>DN 54/128 G2</p> <p>DN 54/128 G5</p> 
 <p>x2</p>	



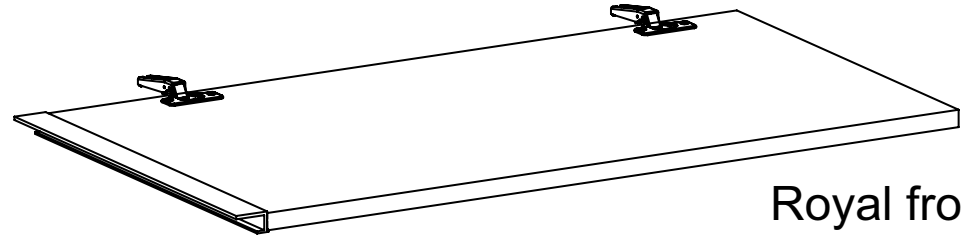
<p><b>S</b></p> <p>3x13</p>  <p>x2</p>	<p>Φ.412.056</p> 
--	--



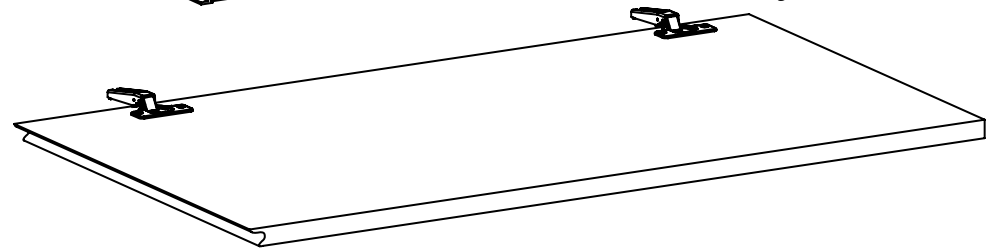
Alpha,Royal front wall



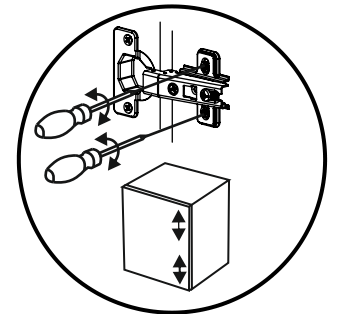
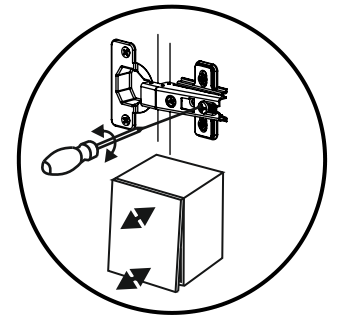
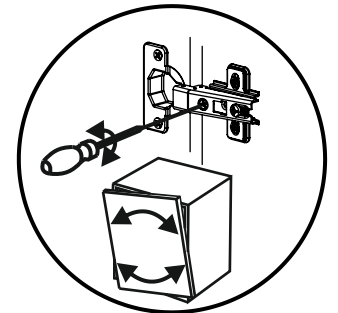
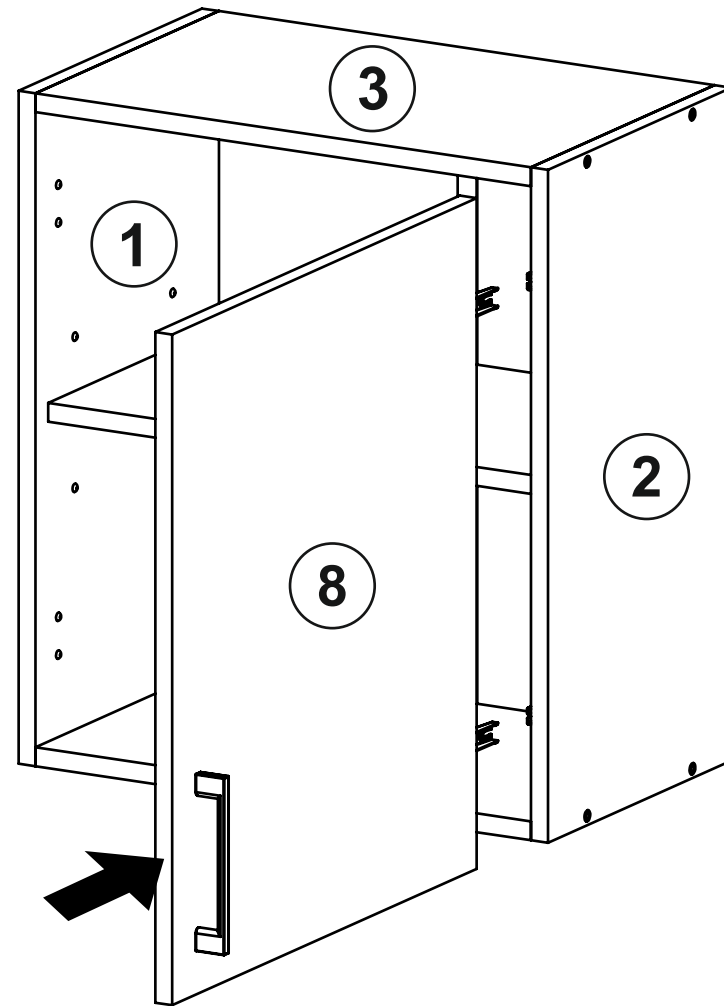
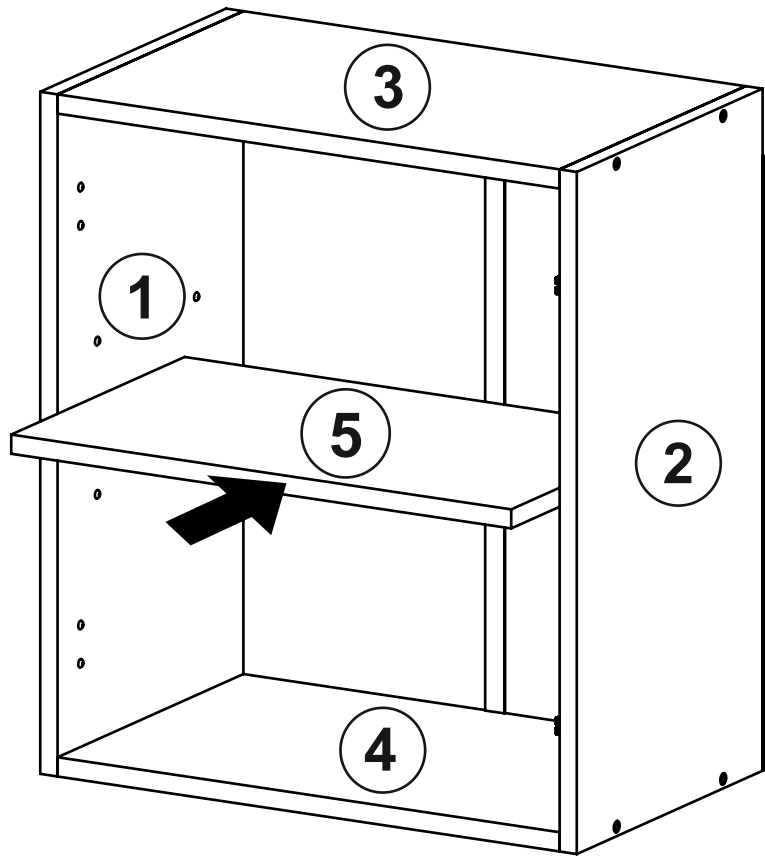
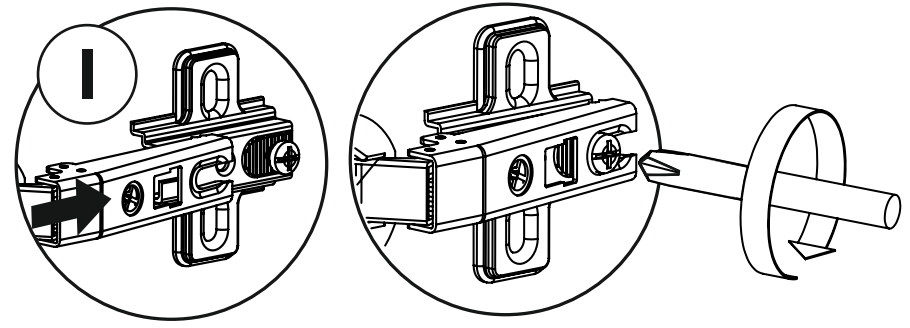
Alpha front low



Royal front low

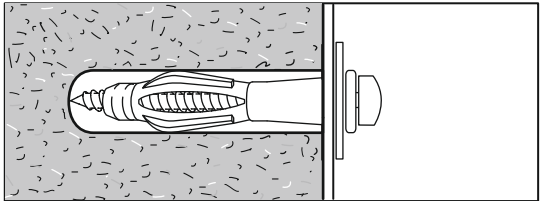
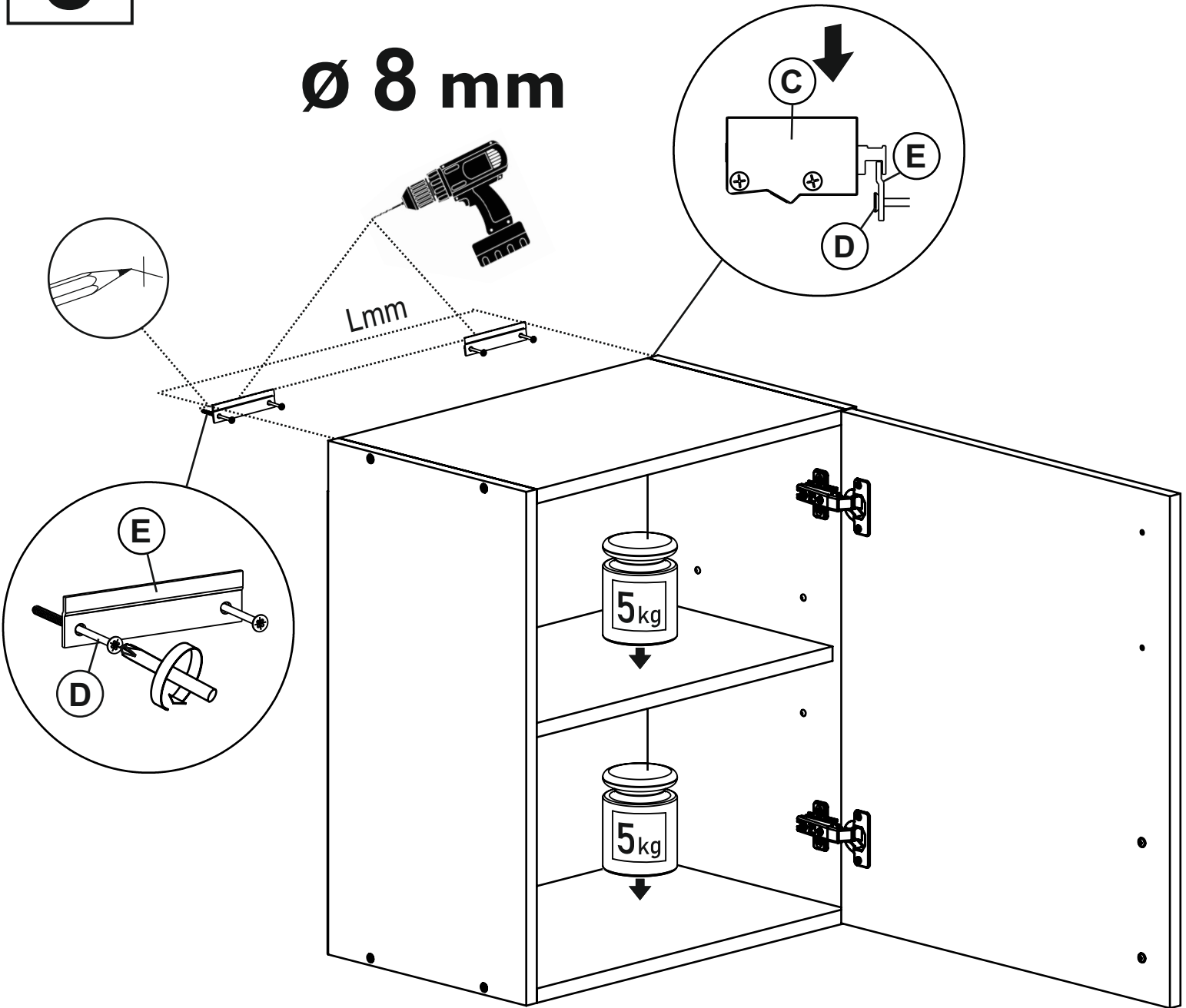


7

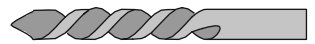


8

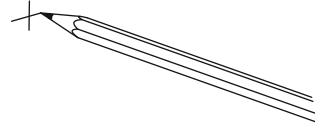
Ø 8 mm



Ø 8 mm

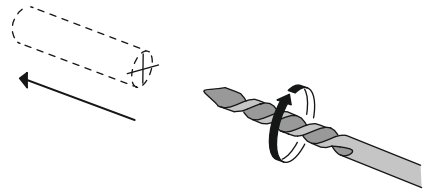


1

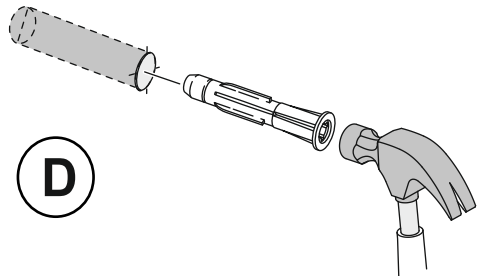


2

8x80



3



D

