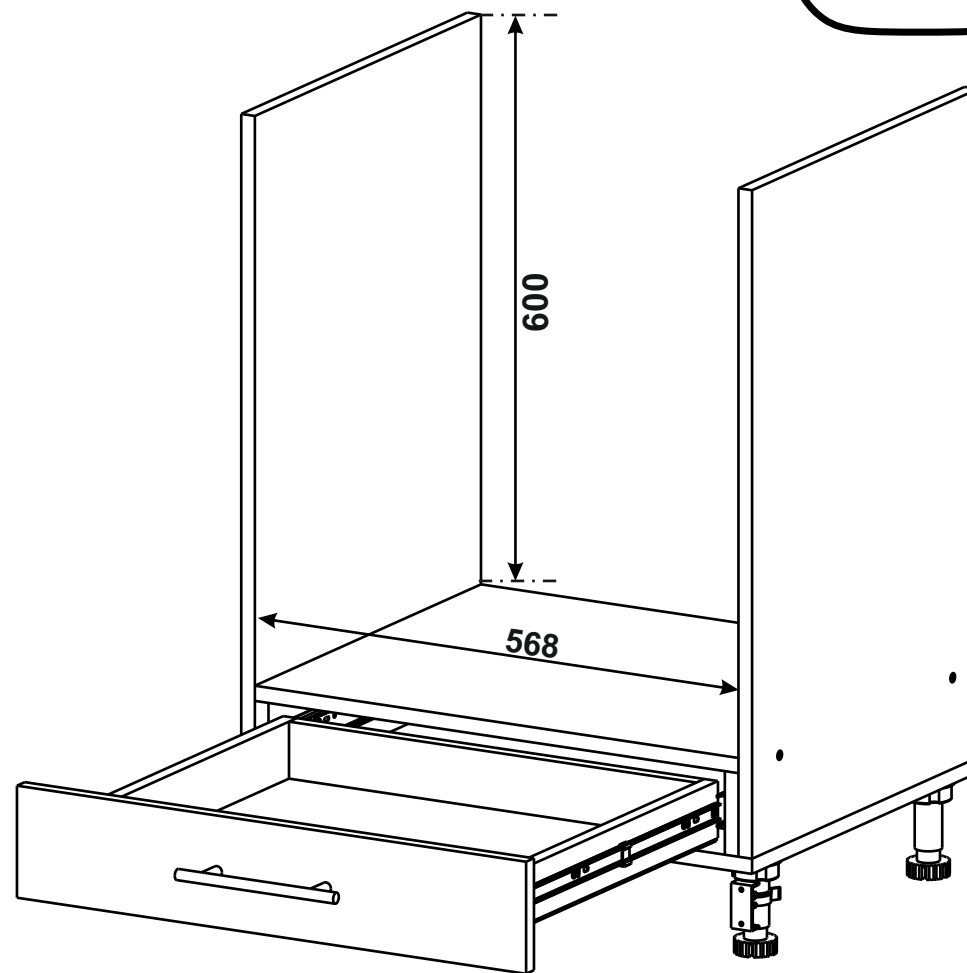
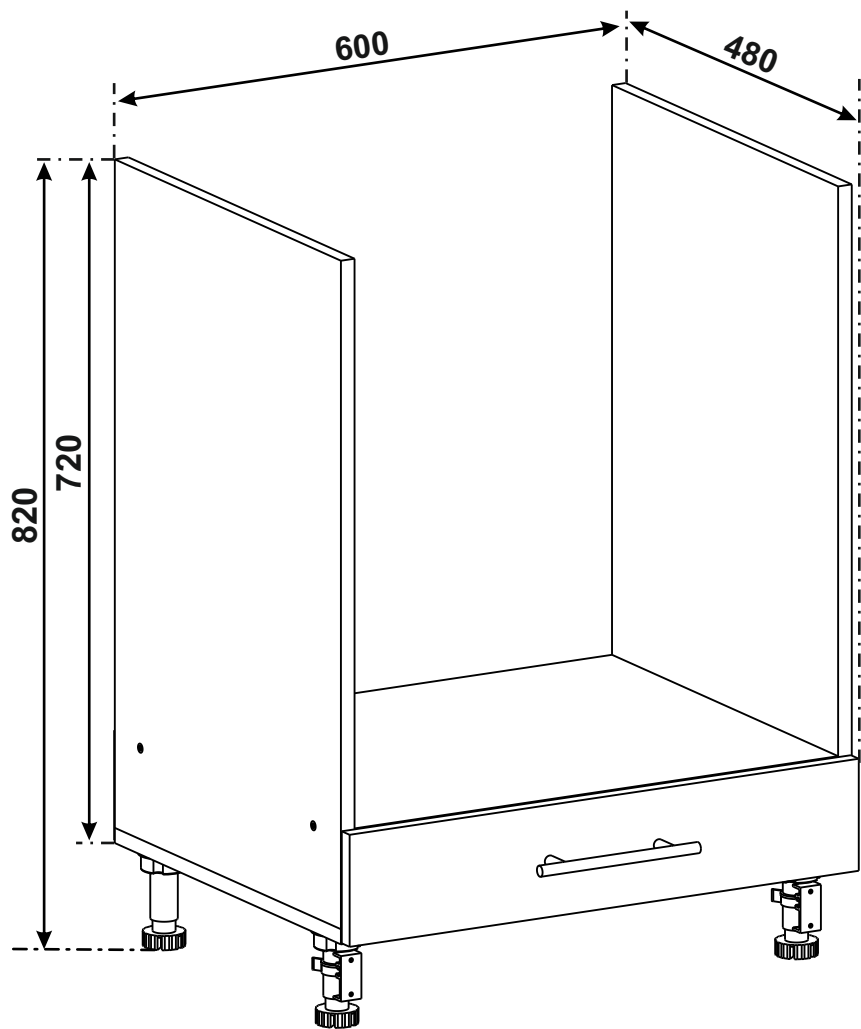
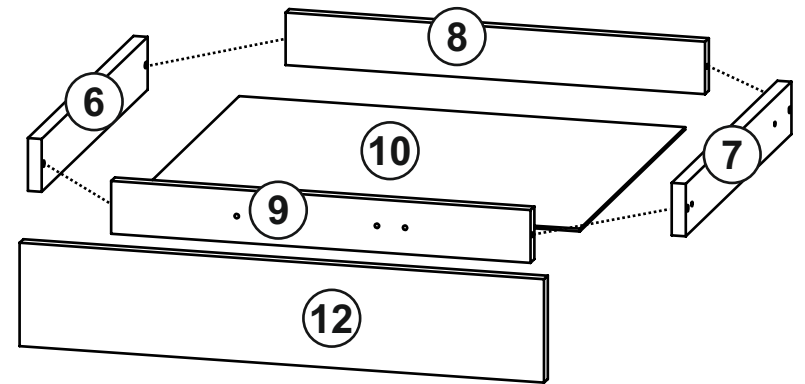
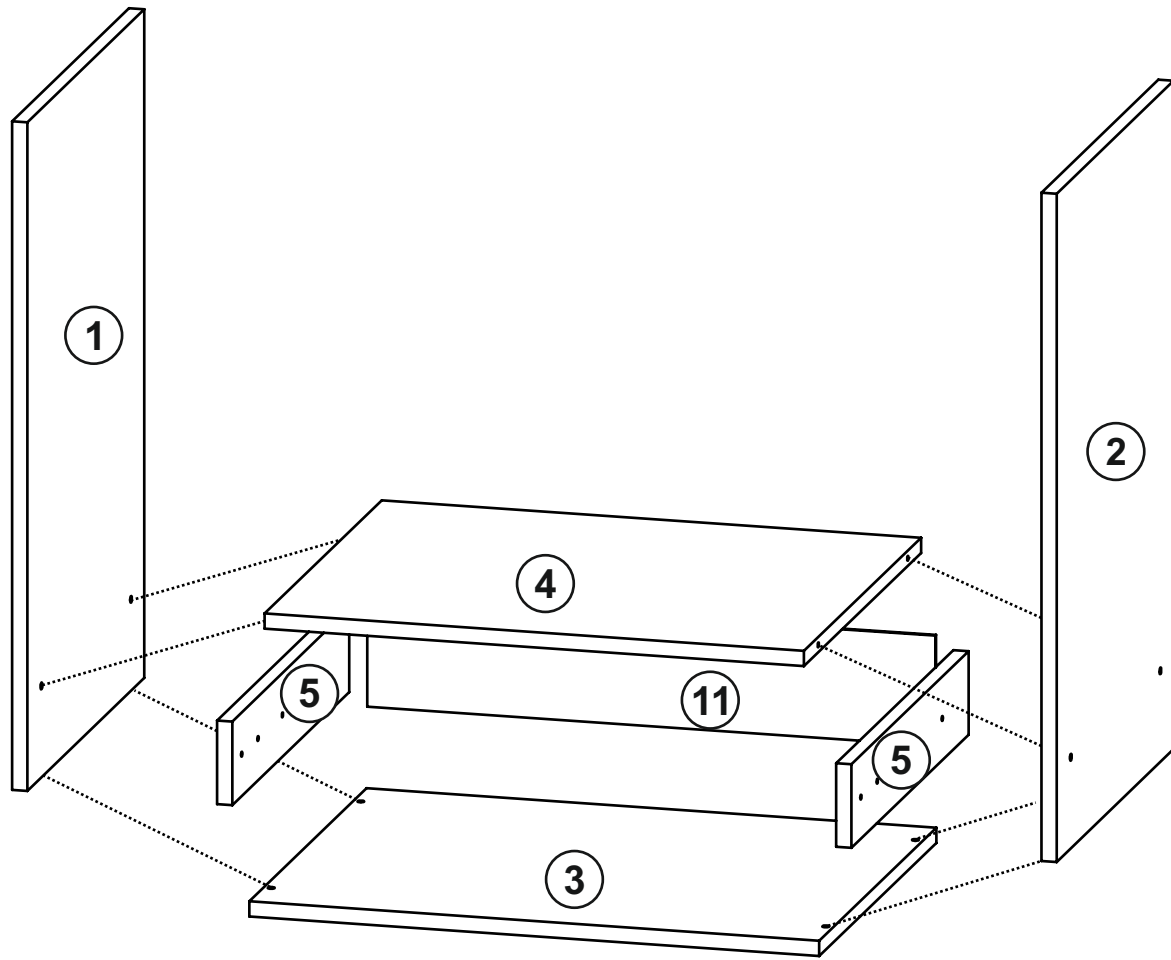

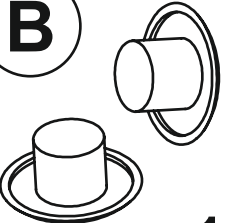


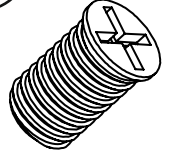
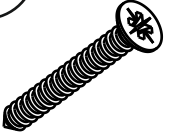

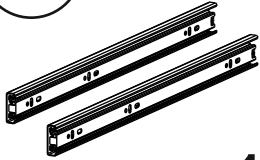
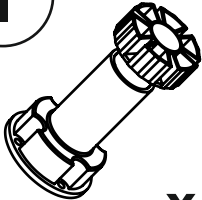
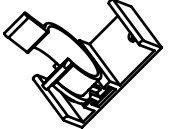
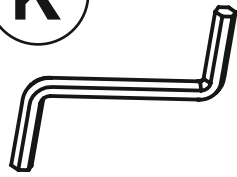
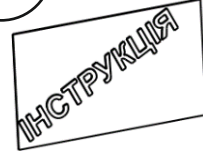
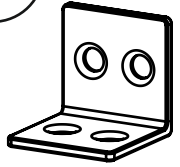

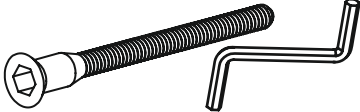




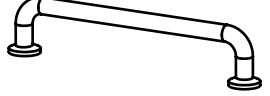

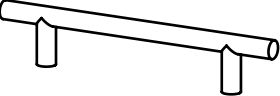


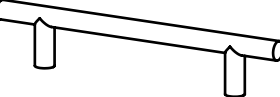


НД-60/82; LG-60/82










<p>A</p>  <p>x12</p>	<p>B</p>  <p>x12</p>	<p>C 3.5x16</p>  <p>x6</p>	<p>D 4x16</p>  <p>x36</p>
<p>E 6.3x13</p>  <p>x8</p>	<p>F 4x30</p>  <p>x10</p>	<p>G</p>  <p>20g</p>	<p>H L-450</p>  <p>x1</p>
<p>I</p>  <p>x4</p>	<p>J</p>  <p>x2</p>	<p>K</p>  <p>x1</p>	<p>L</p>  <p>x1</p>
<p>M</p>  <p>x4</p>	<p>N</p>  <p>x2</p>		

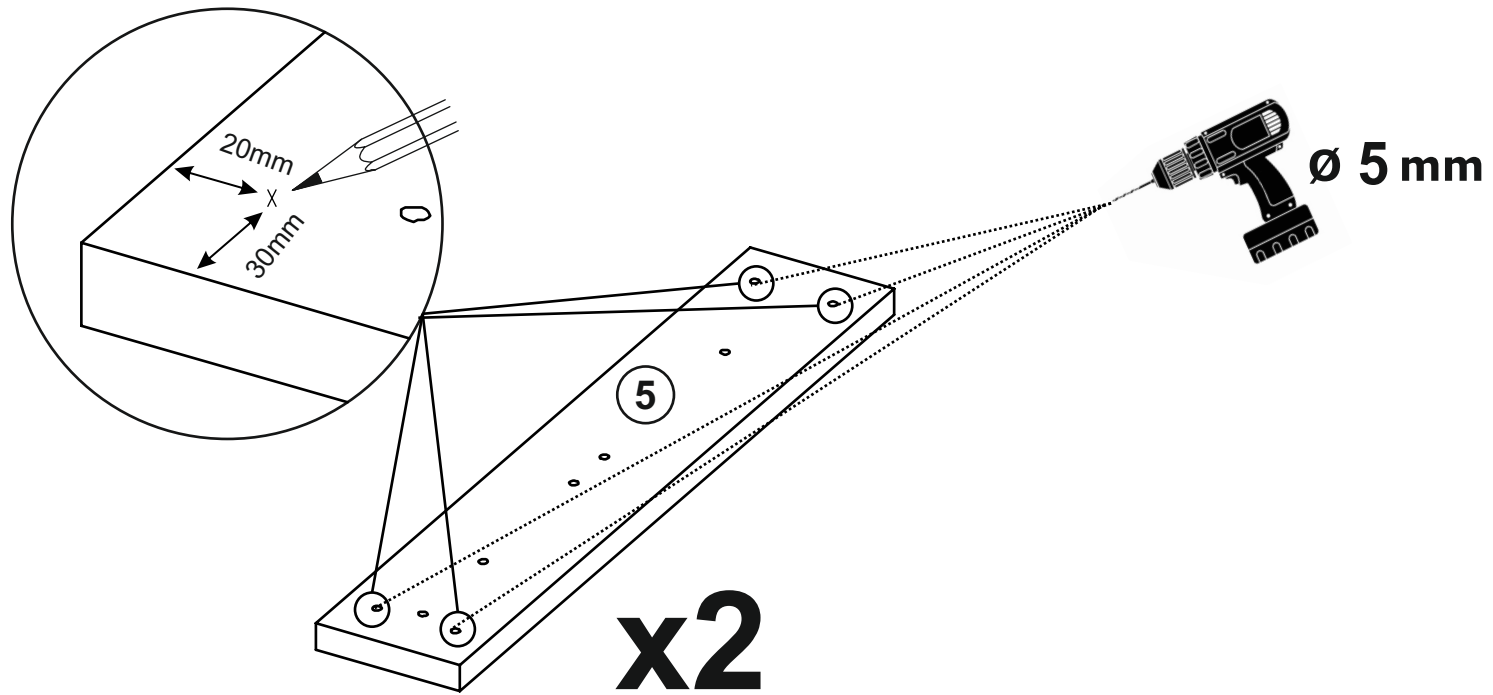
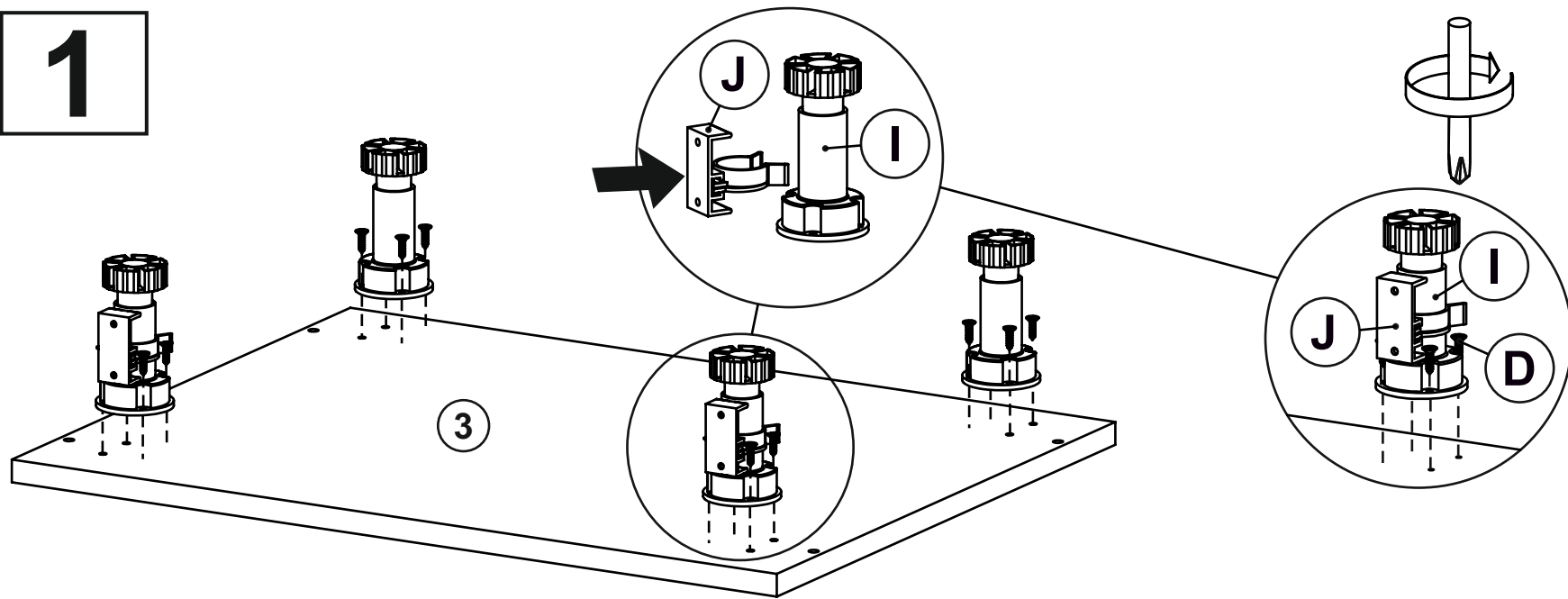
№	AxBxC	x	Package
1	704x460x16	1	1
2	704x460x16	1	1
3	600x460x16	1	1
4	568x460x16	1	1
5	88x460x16	2	1
6	450x60x16	1	1
7	450x60x16	1	1
8	479x60x16	1	1
9	479x60x16	1	1
10	448x509x3	1	1
11	116x598x3	1	1
12	115x597x16/18/19	1	2
	1	1	

<p>O 4x40</p> <p>12) 115x597x16/18/19</p>	<p>D 705/128 BLKM D 705/128 G2</p> 	<p>D - 115/28 G4</p> 	<p>4/105/128 BLK</p> 
	<p>CR 40/128 MBSN CR 40/128 ORB</p> 	<p>Φ.412.011 BLK Φ.412.011 Satin</p> 	<p>656/128 Soft Touch</p> 
	<p>DU 27/128 AL</p> 	<p>DR - 11/128 SS BLK</p> 	<p>Φ.412.047 Satin Φ.412.047 BLK</p> 
 <p>x2</p>			

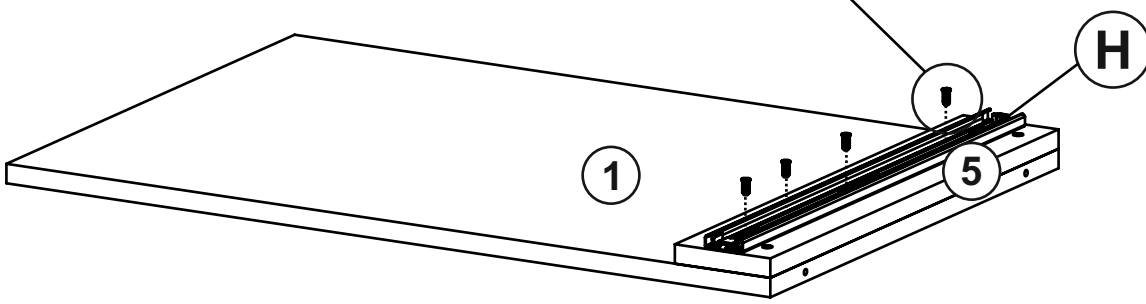
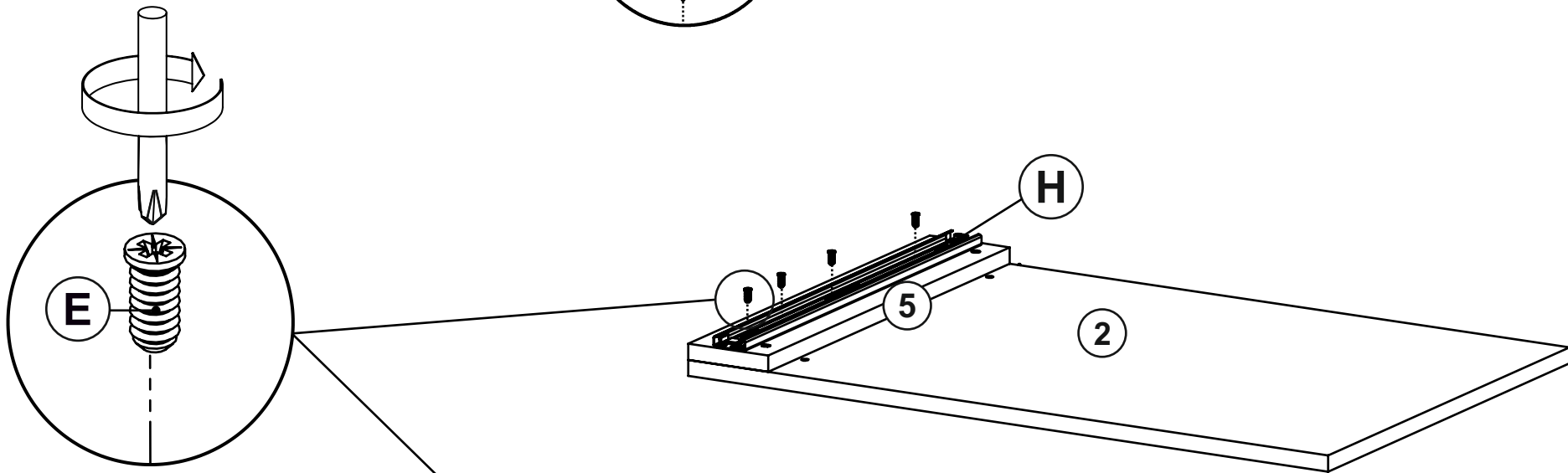
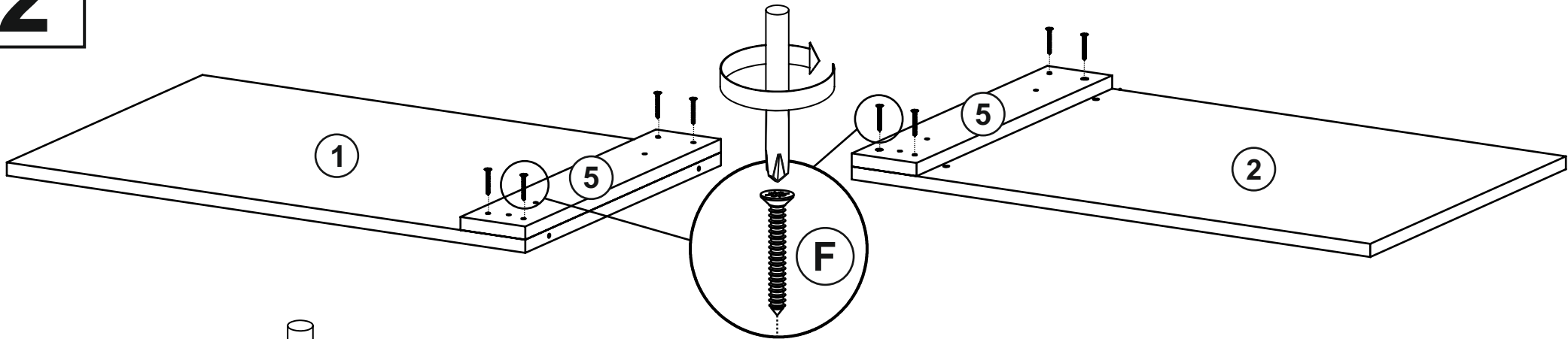
<p>O 4x40</p> <p>12) 115x597x18/19</p>	<p>DN 54/128 G2 DN 54/128 G5</p> 
<p>P 4x35</p> <p>12) 115x597x16</p>	<p>DS 26/128 P9</p> 
 <p>x2</p>	

<p>Q 3x13</p>  <p>x2</p>	<p>Φ.412.056</p> 
---	---

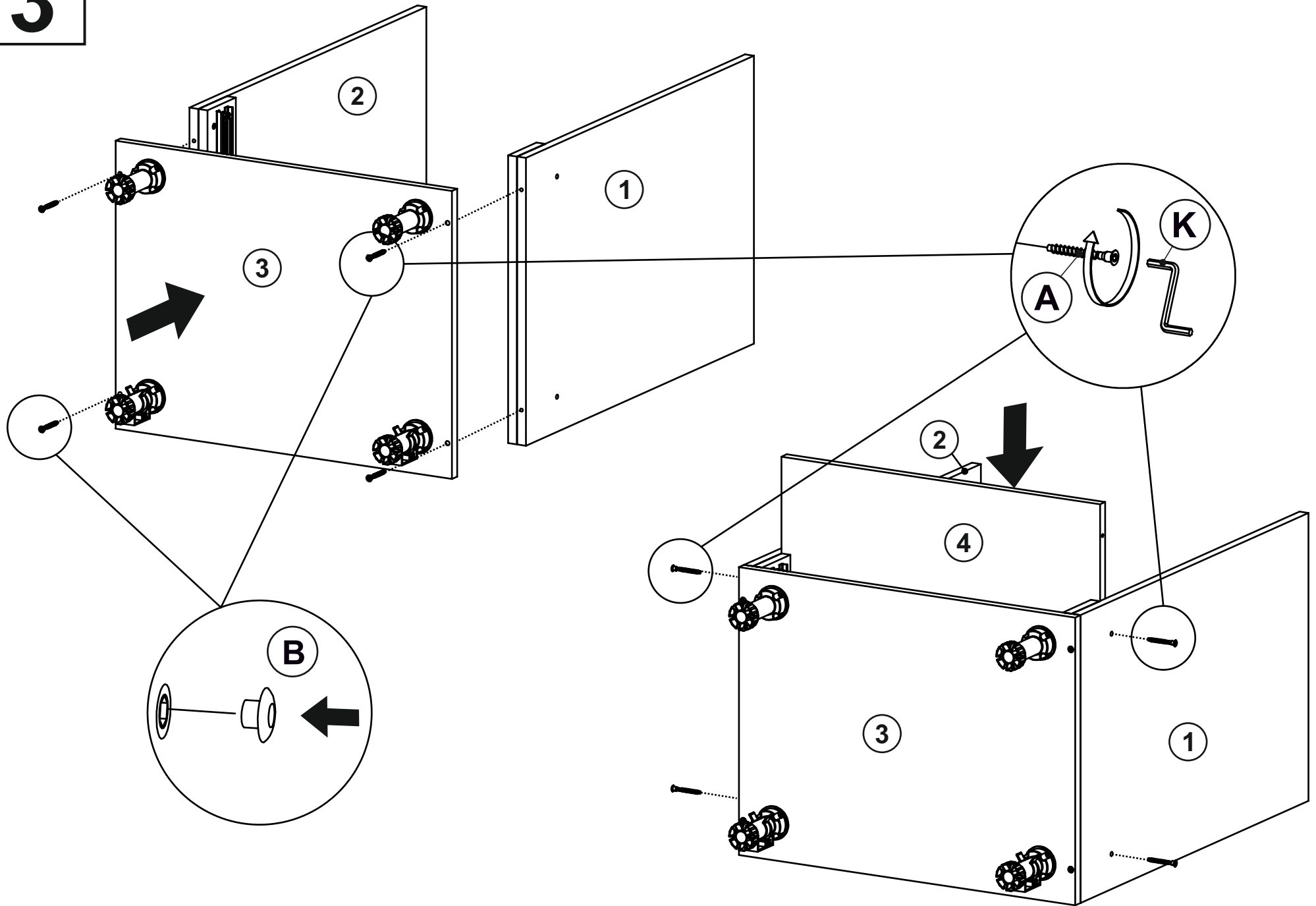
1



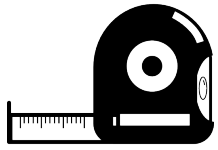
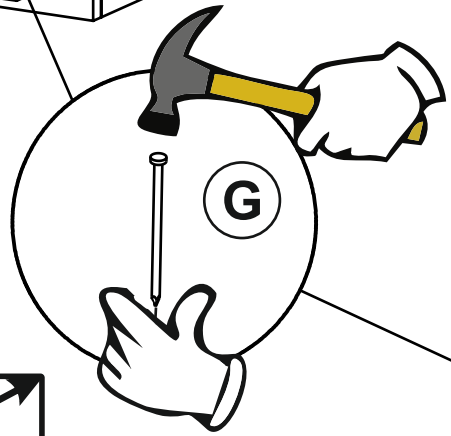
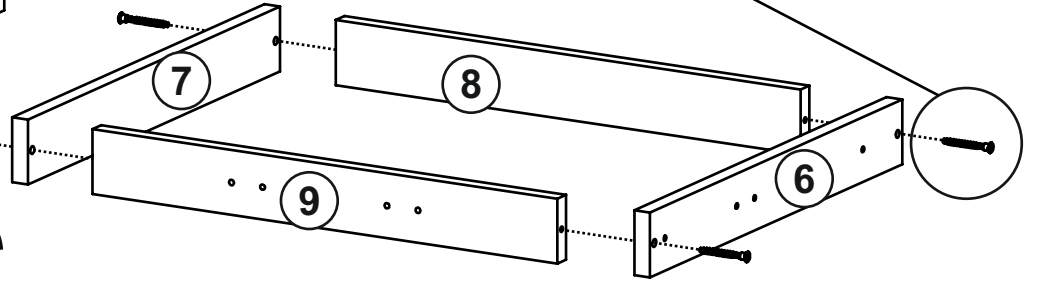
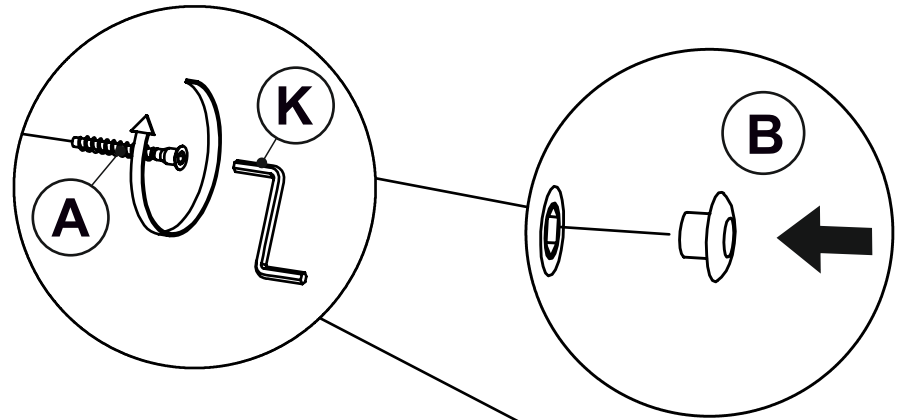
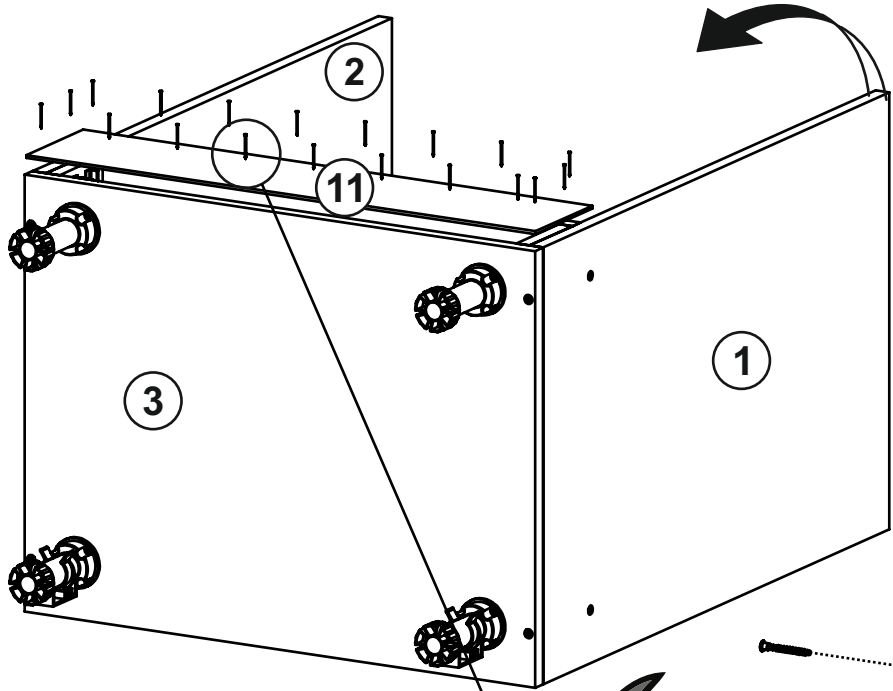
2



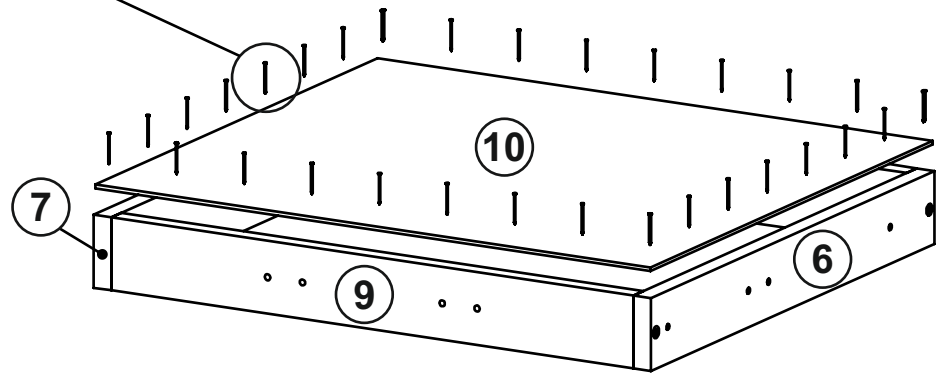
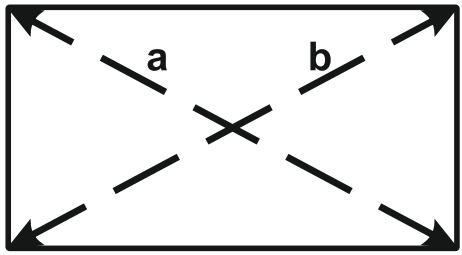
3



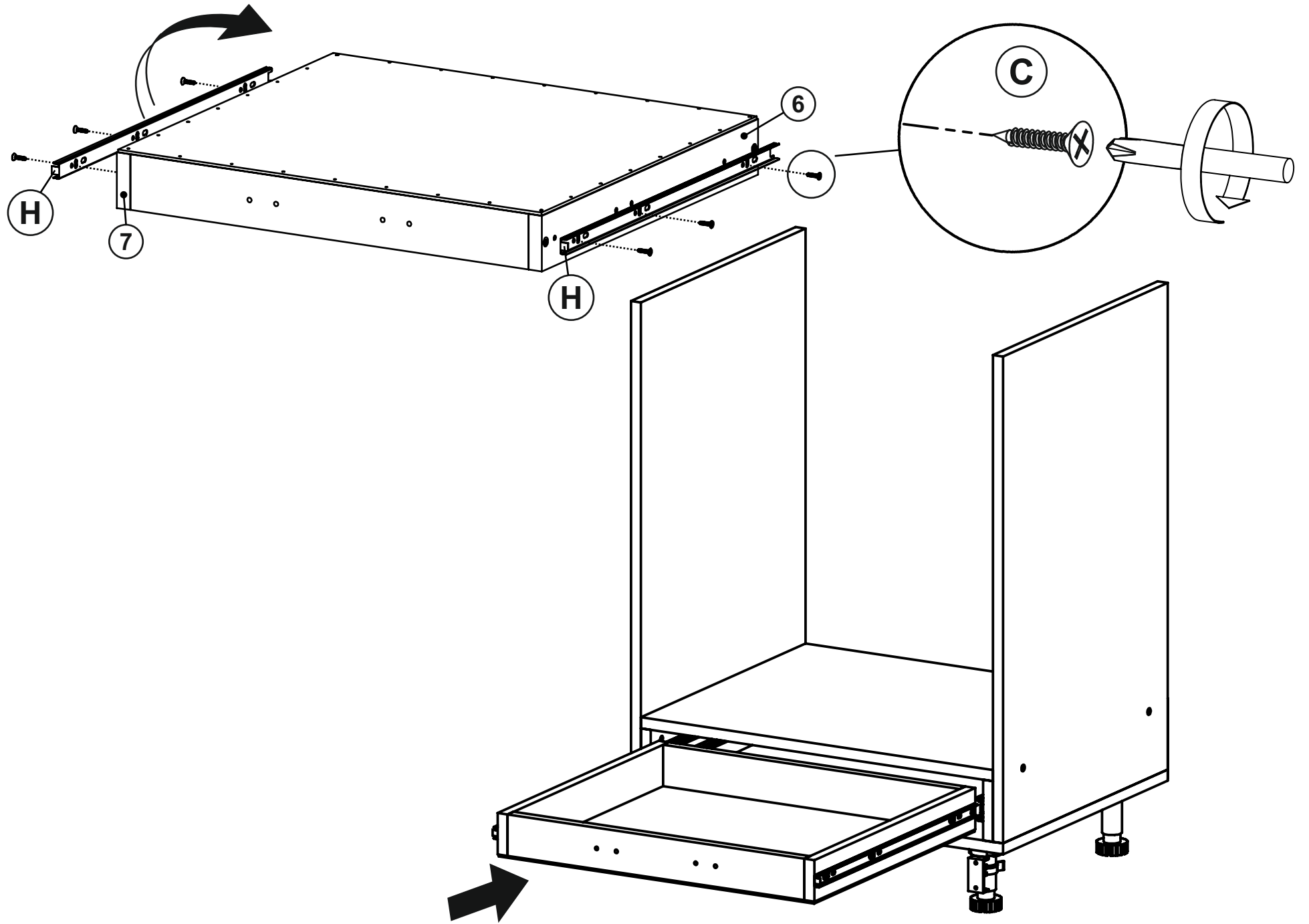
4



a=b

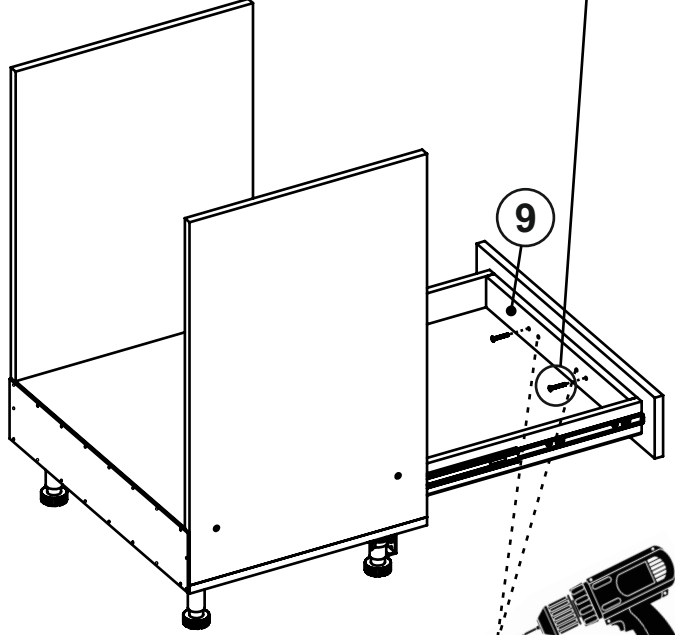
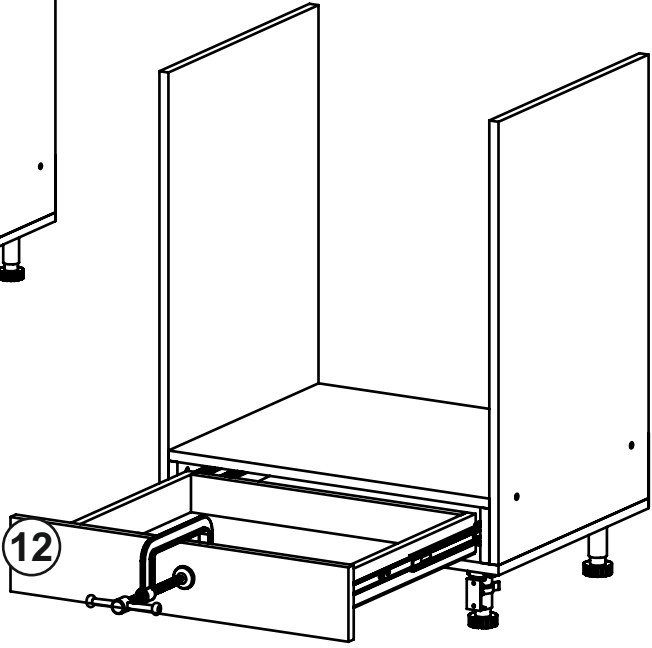
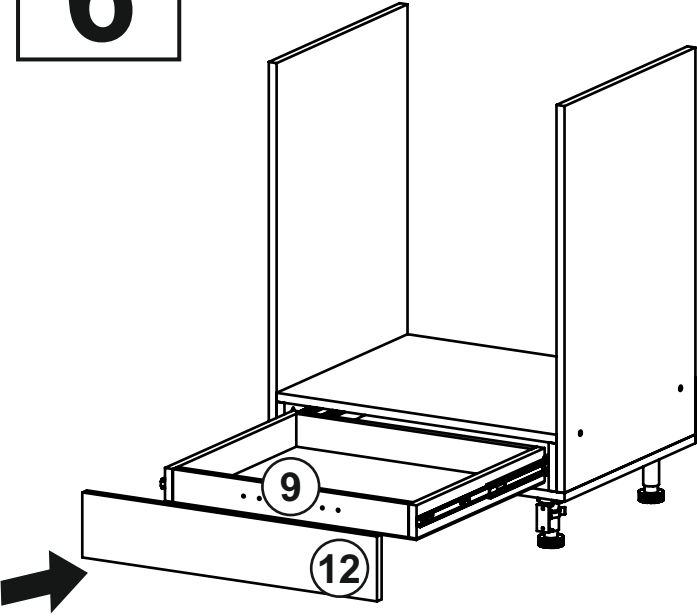
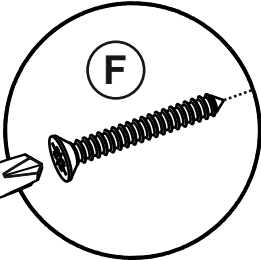
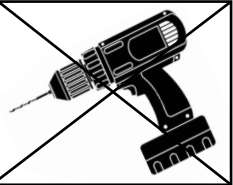


5

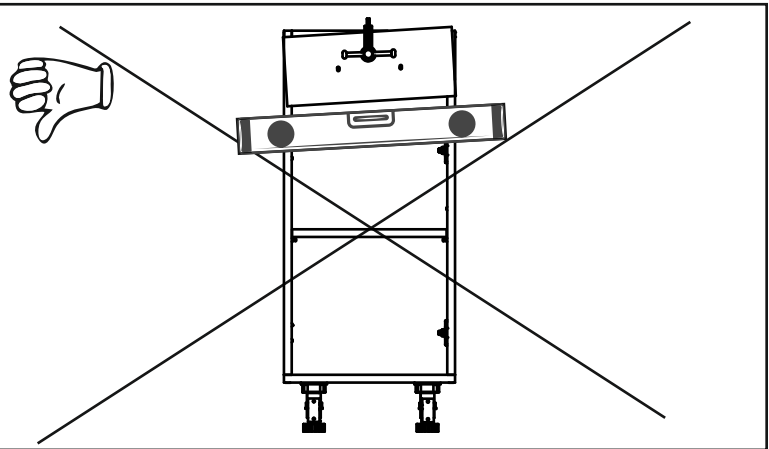
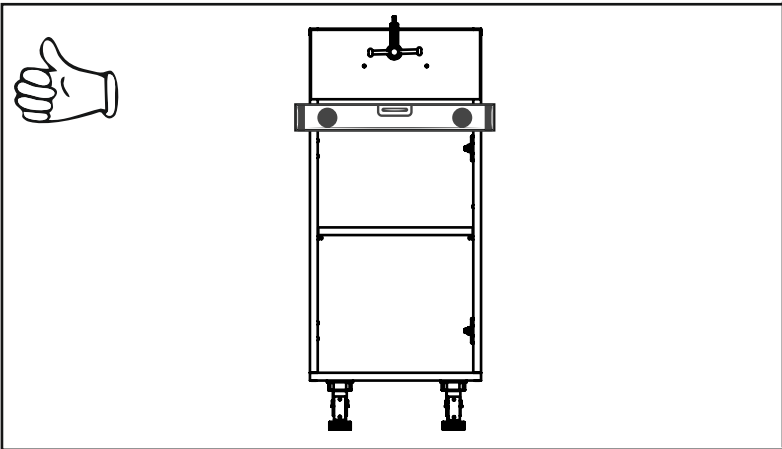


6

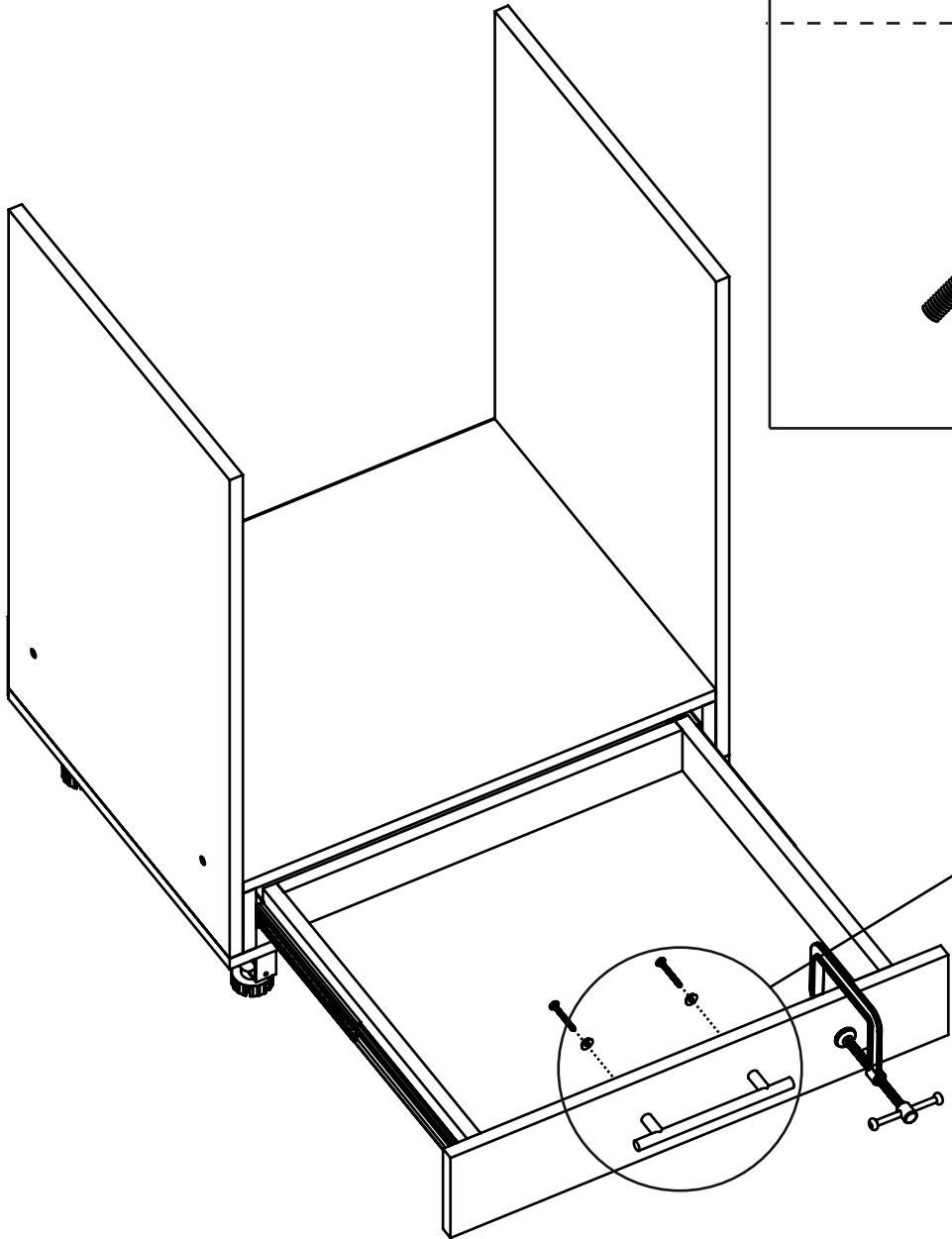
! Alpha, Royal front wall




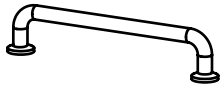

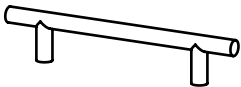
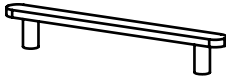
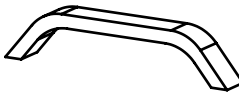
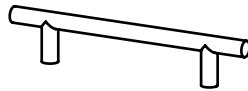



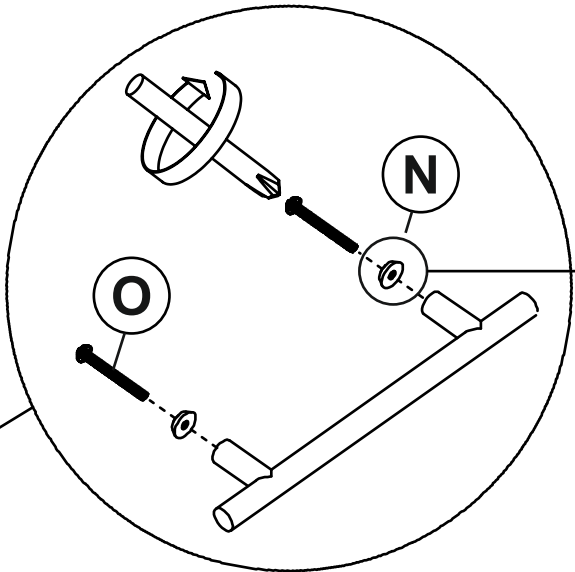
Ø 5 mm




7

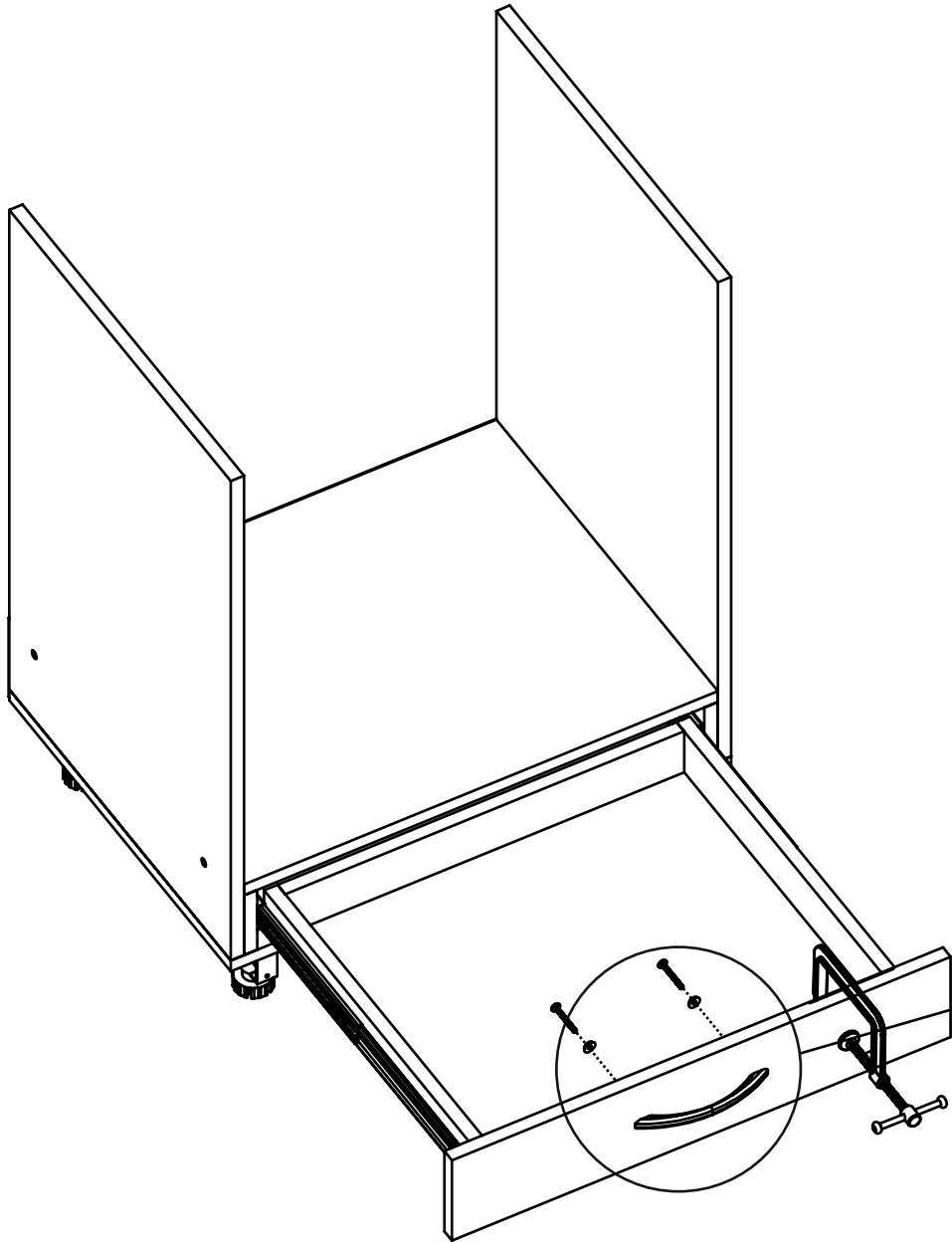





 x6	O 4x40 12) 115x597x16/18/19	D 705/128 BLKM D 705/128 G2 	D - 115/28 G4 	4/105/128 BLK 
		CR 40/128 MBSN CR 40/128 ORB 	Φ.412.011 BLK Φ.412.011 Satin 	656/128 Soft Touch 
		DU 27/128 AL 	DR - 11/128 SS BLK 	Φ.412.047 Satin Φ.412.047 BLK 

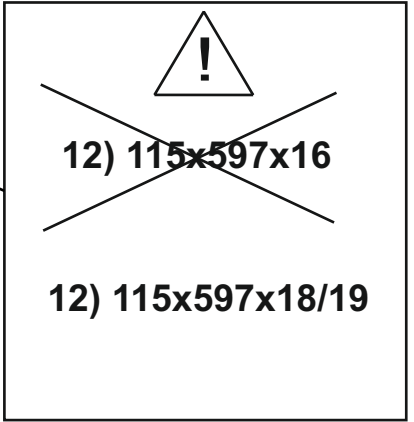
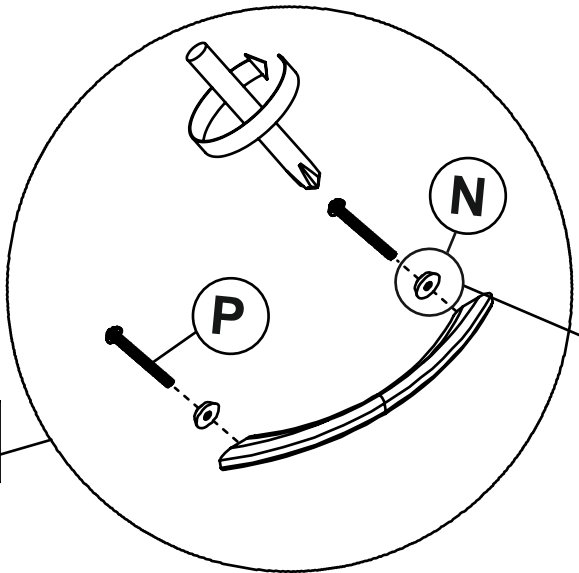



12) 115x597x16
~~12) 115x597x18/19~~



8



<p>O 4x40 12) 115x597x18/19</p>	<p>DN 54/128 G2 DN 54/128 G5</p> 
<p>P 4x35 12) 115x597x16</p>	<p>DS 26/128 P9</p> 
 <p>x2</p>	



9

<p>Q 3x13</p>  <p>x2</p>	<p>Φ.412.056</p> 
---	--

